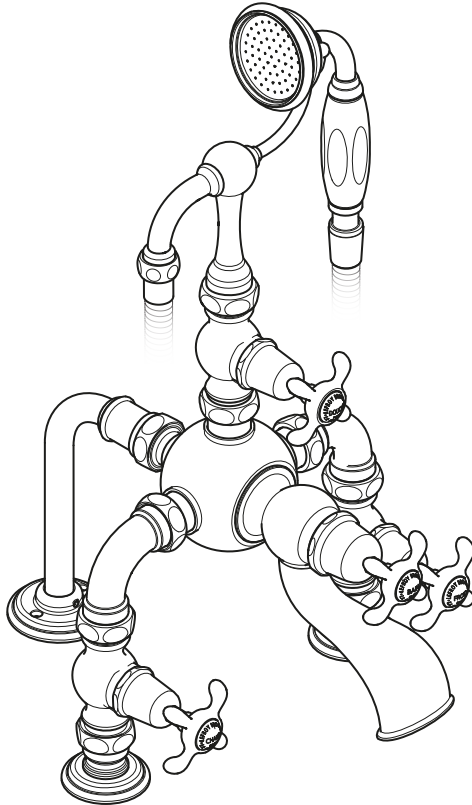


1140

LA CHAPELLE DECK MOUNTED BATH SHOWER MIXER  
INSTALLATION GUIDE

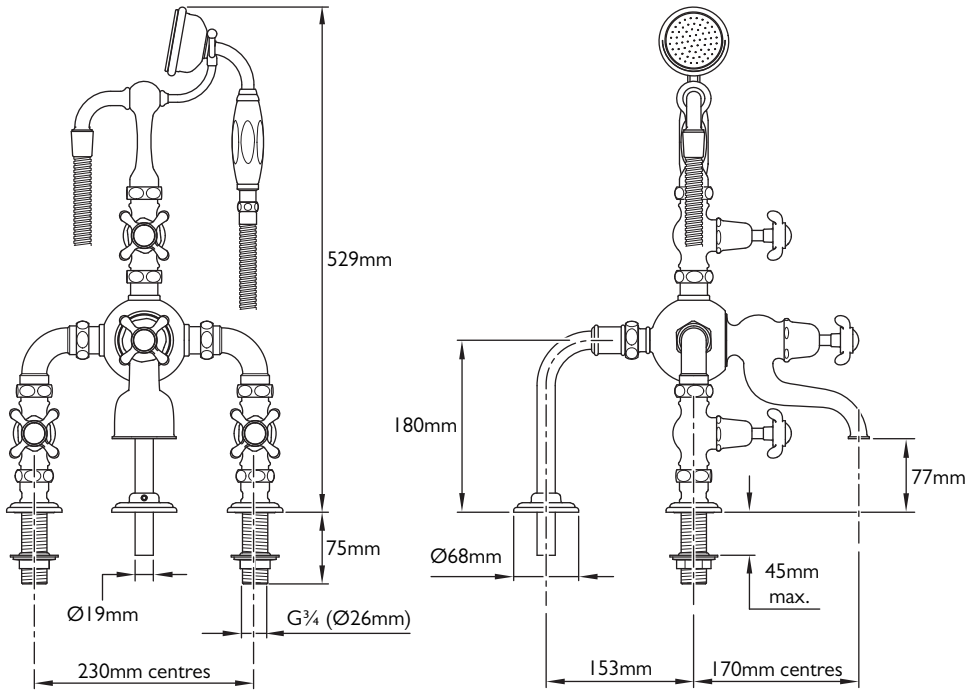
---



---

LEFROY BROOKS

## DIMENSIONS



Not to scale

## TRANSLATION

Chaud - Hot  
 Froid - Cold  
 Douche - Shower  
 Bain - Bath

# IMPORTANT INFORMATION

## Professional installation

We recommend that our products are fitted by a fully qualified professional plumber. They should be installed correctly and in accordance with all local water regulations. All products should be accessible for routine servicing.

## Suits all systems

This Lefroy Brooks product is potentially suitable for every possible application, type of boiler and water supply pressure. However, if your supply pressure is below 1 bar it is advisable to fit a water pump. For systems with combination boilers, it is not advisable to fit pumps (refer to boiler manufacturer).

## Supply connections

The hot water supply must be connected to the left port, cold water to the right as viewed from the front.

## Supply temperature safety notice

To comply with local building regulations, current legislation, relevant standards and codes of practice a thermostatic mixing valve (TMV) should be fitted (not supplied) to the hot supply. This will restrict the temperature to a safe working maximum temperature. Maximum allowed temperatures vary subject to type of installation or specification of building.

## Balancing flow

If there is a significant difference in water pressures between hot & cold supplies, we recommend an in-line flow suppressor/regulator (not supplied) be fitted. This should be fitted to whichever has the greater flow rate, in an accessible position close to the valve.

## Water quality

In hard water areas, a suitable water treatment system should be provided to prevent limescale deposits (calcium deposits) which may effect the long term performance of the ceramic cartridges. Exterior surfaces should be gently wiped with a dry soft cloth after use to minimise water stains and limescale deposits.

## Flushing system

It is most important to flush out all pipework thoroughly before connecting the product. Failure to do so is the single most common cause of ceramic cartridge failure.

## General installation details

The G $\frac{3}{4}$  threaded tails are designed to fit standard 22mm fittings/connections.

## Restrictions for use

This product is NOT recommended for use with an overhead shower that is supplied from a free standing fixed riser pipe, unless the pipework is supported from either the wall or ceiling.

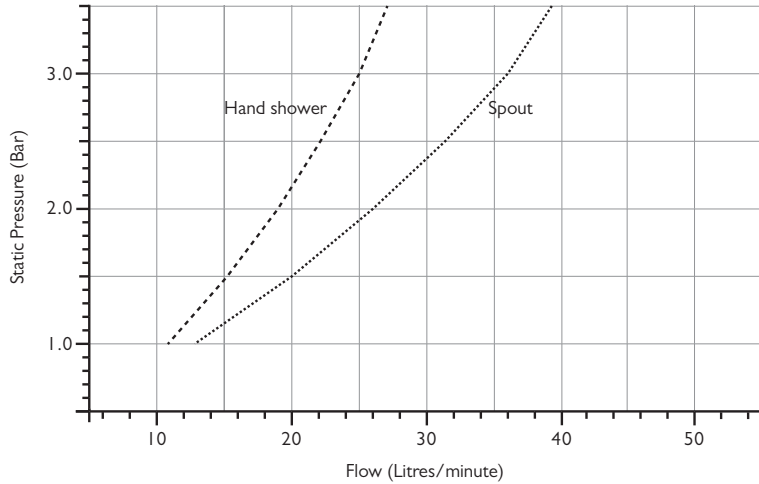
## Servicing

All serviceable parts are available to maintain your Lefroy Brooks product.

## Non-return valves

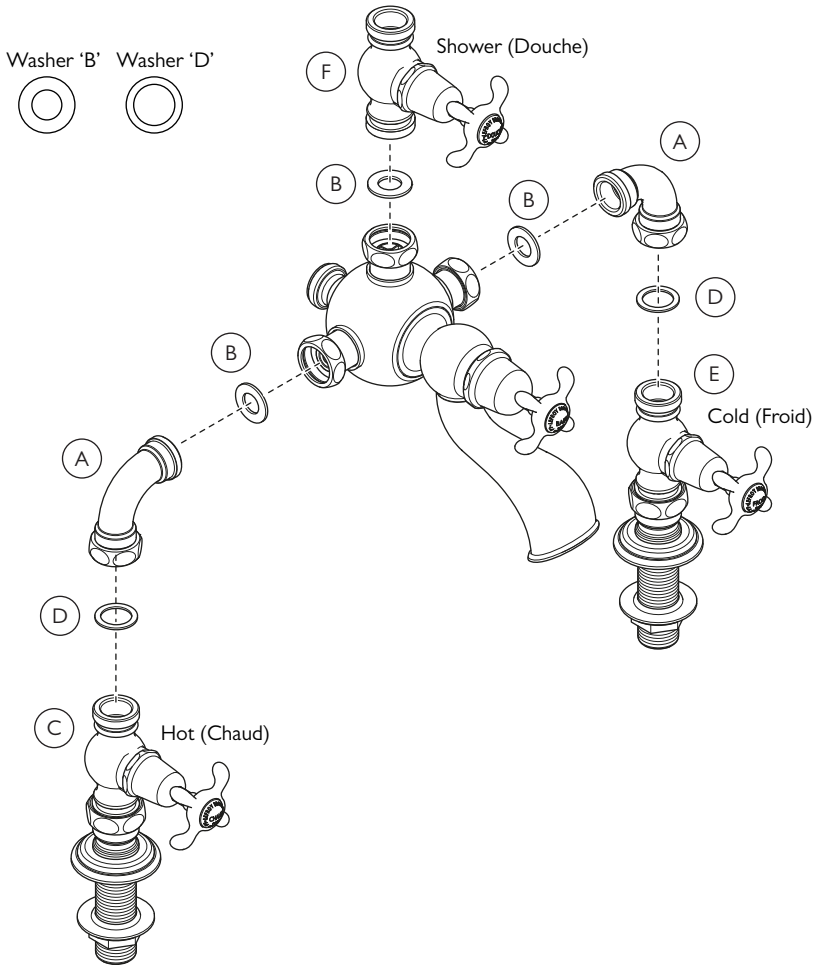
To protect your water system, non-return valves are fitted after the inlet elbows. These can be removed and cleaned if required.

## TYPICAL FLOW RATES



Note: Balanced pressures shown are applied directly to the hot & cold inlets; flow rates indicated are free flowing and may vary subject to restrictions created by installation, pipework, layout or application. Spout and hand shower tested separately.

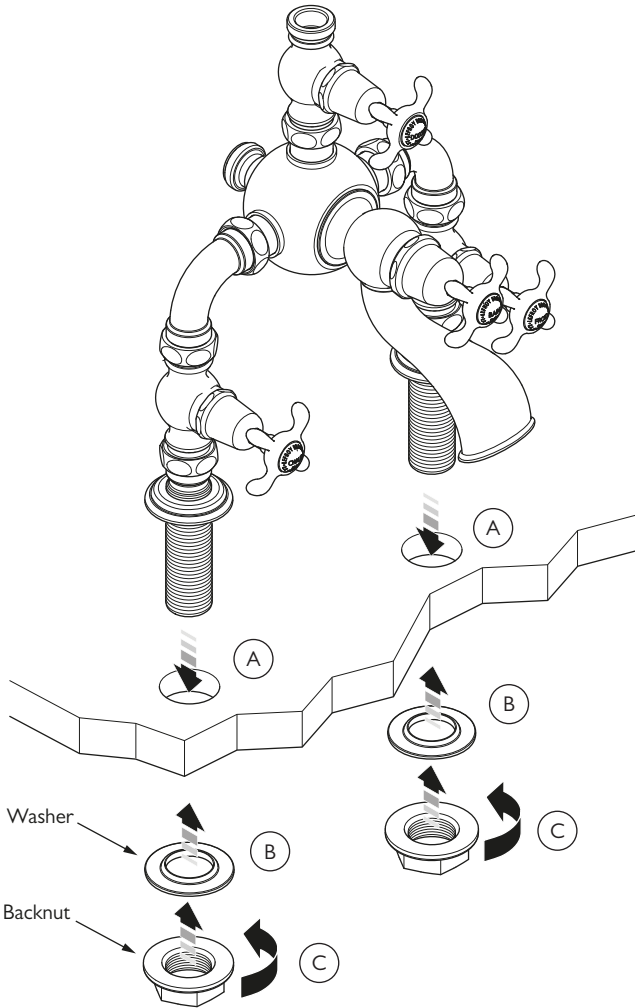
## ASSEMBLY



All joints above the mounting surface should be 'hand tight only' until assembly and installation is finalised.

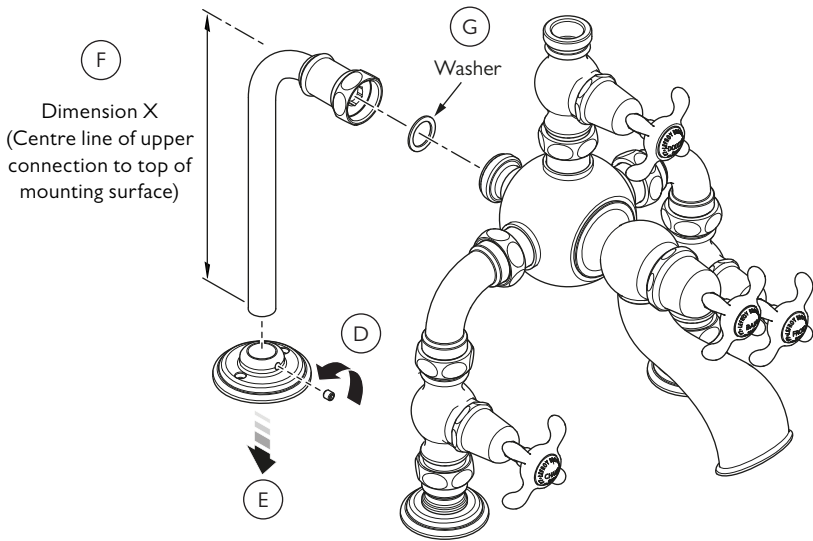
- 1 Assemble the inlet elbows (A) to the body of the bath shower mixer. Ensure that the washers (B) are in place.
- 2 Assemble the hot (chaud) control (C) to the bottom of the left inlet elbow. Ensure that the washer (D) is in place. There is an arrow on the rear of the body that indicates the direction of water flow.
- 3 Assemble the cold (froid) control (E) to the bottom of the right inlet elbow. Ensure that the washer (D) is in place. There is an arrow on the rear of the body that indicates the direction of water flow.
- 4 Assemble the shower (douche) control (F) to the top of the main body. Ensure that the washer (B) is in place. There is an arrow on the rear of the body that indicates the direction of water flow.

## INSTALLATION



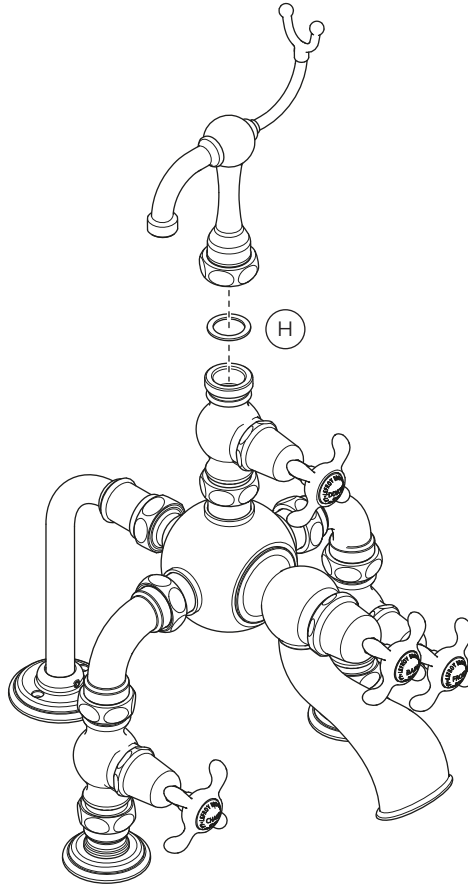
- 1 Where necessary drill suitable sized holes in the mounting surface. We recommend  $\text{Ø}27\text{mm} - \text{Ø}30\text{mm}$ .
- 2 Unscrew and remove the backnuts and washers from the threaded tails of the legs.
- 3 Pass the threaded tails of the legs through the holes in the mounting surface (A).

- 4 Locate the rubber washers (B) on to the threaded tails of the legs.
- 5 Screw the backnuts (C) on to the threaded tails.
- 6 Tighten the backnuts to secure.



For safety reasons the mixer must NOT be installed without the support bracket. The support bracket is supplied in this length to accommodate split level installations.

- 7 Unscrew and remove the set screw from the support leg deck plate (D).
- 8 Remove the deck plate (E).
- 9 Measure and mark 'dimension X' on the support leg. This is the distance from the centre line of the upper connection to the top of the mounting surface (B).
- 10 Cut the support leg to the required length.
- 11 Locate the support leg into the deck plate and connect the support leg to the rear of the bath shower mixer body. Ensure that the washer (G) is in place. The washer has a larger hole in the centre.
- 12 Rotate the deck plate so the threaded hole for the set screw faces the bath shower mixer body. Mark the fixing hole positions of the deck plate on to the mounting surface.
- 13 Remove the support leg and deck plate.
- 14 Where required, drill suitable sized holes for the wall plugs supplied then insert the wall plugs.
- 15 Locate the support leg into the deck plate and connect the support leg to the rear of the bath shower mixer body. Ensure that the washer is in place.
- 16 Screw the deck plate to the mounting surface.
- 17 Insert and tighten the set screw to secure.



- 18 Locate the hand shower cradle to the top of the bath shower mixer ensuring that the washer (H) is in place. The washer has a larger hole in the centre.
- 19 With the assembly/installation complete, using the nut protector supplied, tighten all of the joints. The nut protector will prevent damage to the surface finish.
- 20 Connect the conical end of the flexible shower hose to the hand shower. Connect the other end to the outlet on the cradle at the top of the bath shower mixer.
- 21 Place the hand shower in to the cradle.



## TESTING

### Testing:

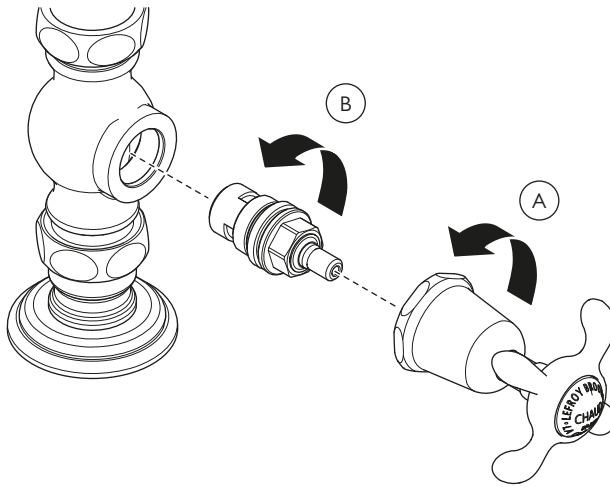
- Ensure hot & cold (chaud & froid) controls are in the closed position.
  - Turn on the hot & cold mains supplies.
  - Lift the hand shower from the cradle and aim into bath.
  - Turn the four controls to their 'on' positions (fully counter clockwise). Check for any leaks and tighten joints as required.
  - Check flow from both hand shower and spout. Turn the bath spout (bain) and hand shower (douche) controls to the 'off' position (fully clockwise). This will pressure test all joints except the upper nut that connects to the cradle. Again, check for leaks and tighten joints as required.
  - Turn the hot & cold (chaud & froid) taps off.
- 

## OPERATION

It is advisable to turn off the hot & cold (chaud & froid) flow controls when the mixer is not in use. Do not close the bath spout and hand shower flow controls only.

## SERVICING – CARTRIDGE REPLACEMENT

Applies to all flow cartridges. Shown with hot (chaud) flow control.



**Before continuing please ensure that the water supplies have been isolated and drained where necessary.**

- 1 To remove, support the body of the bath shower mixer, grasp the handle shroud(s) and unscrew to remove (A).
- 2 Using a 17mm a/f spanner or socket unscrew the cartridge(s) and remove (B).

- 3 Check inside the bath shower mixer for any debris or limescale. Wipe clean as required.
- 4 Screw in new ceramic cartridge(s) and tighten using a 17mm spanner or socket.
- 5 Open the water supply/supplies.
- 6 Check for leaks.
- 7 Replace the handle(s) ensuring that any indice(s) graphics are correctly orientated.
- 8 Check operation of the cartridge(s).

## FAULT FINDING

The hot & cold (chaud & froid) handles are turned on, the hand shower (douche) and bath spout (bain) handle are turned off, but the hand shower drips continuously.

- Replace the ceramic cartridge in the hand shower flow control. See 'replacement parts' section for spare part numbers and the 'servicing – cartridge replacement' section.

The hot & cold (chaud & froid) handles are turned on, the hand shower (douche) and bath spout (bain) handle are turned off, but the spout drips continuously.

- Replace the ceramic cartridge in the spout flow control. See 'replacement parts' section for spare part numbers and the 'servicing – cartridge replacement' section.

The hot & cold (chaud & froid) handles are turned off, the other two are turned on, but the hand shower or bath drips continuously.

- Replace the ceramic cartridge(s) in the hot & cold flow control(s). See 'replacement parts' section for spare part numbers and the 'servicing – cartridge replacement' section.

Noisy operation.

- Reduce water pressure.

Leaks from underside of bath.

- Nuts on connections not tight.

---

## REPLACEMENT PARTS

PHL038 – ½" x ½ turn ceramic cartridge for use on cold (froid), hot (chaud) & hand shower (douche) flow controls.

PHL044 – ¾" x ½ turn ceramic cartridge for use on bath spout (bain) flow control.

PSP033 – Pair of fibre washers (O/D Ø30mm x I/D Ø22mm x 2.5 mm thick).

PTS002 – Pair of non-return valves.



CONTRACT ENQUIRIES

+44 (0)1992 708 316

[info@lefroybrooks.co.uk](mailto:info@lefroybrooks.co.uk)

CUSTOMER SERVICE, SPARES & TECHNICAL ENQUIRIES

+44 (0)1902 390 894

[technical@lefroybrooks.co.uk](mailto:technical@lefroybrooks.co.uk)

LEFROYBROOKS.CO.UK

---

Whilst every effort is made to ensure the accuracy of these, they are subject to change without notice as part of the company's product development process. The use of trademarks, product design and artwork is subject to licence or agreement with LBIP Ltd. The design registrations, trademark registrations and copyrights are protected by law and the use or reproduction outside the terms of an agreement is prohibited. The right to modify designs and dimensions is reserved. LBIP Ltd is a member of ACID (Anti Copying in Design). E&OE