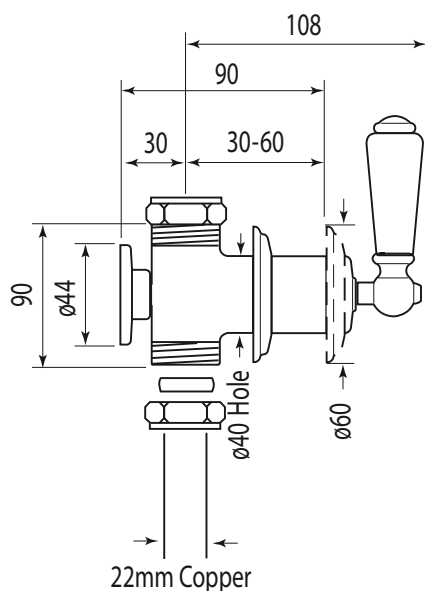


Specification 3230 3240



3230 Pair of 3/4" Wall Valves with Lever Handles
3240 Single 3/4" Wall Valve with Lever Handle

- 1/4 turn ceramic disc flow control • Vernier insert for accurate handle alignment
- Unique handle construction with integral bearing ring



Packed Weight: 3230 1.9Kg
3240 1Kg

Temp Range:
Min 1°C / 34°F
Max 85°C / 185°F
Recommended working pressure:
Min 0.5 bar / 7psi
Max 5 bar / 75 psi

Specification 3230 3240



3230 Pair of 3/4" Wall Valves with Lever Handles

3240 Single 3/4" Wall Valve with Lever Handle

- 1/4 turn ceramic disc flow control • Vernier insert for accurate handle alignment
- Unique handle construction with integral bearing ring

Where * Indicated Specify Colour.

