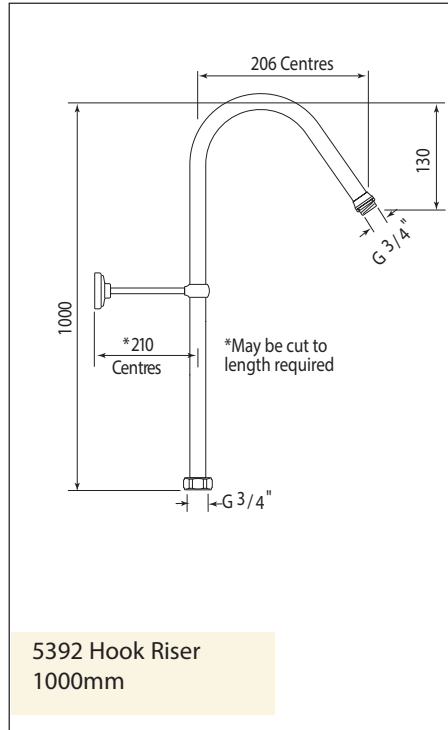
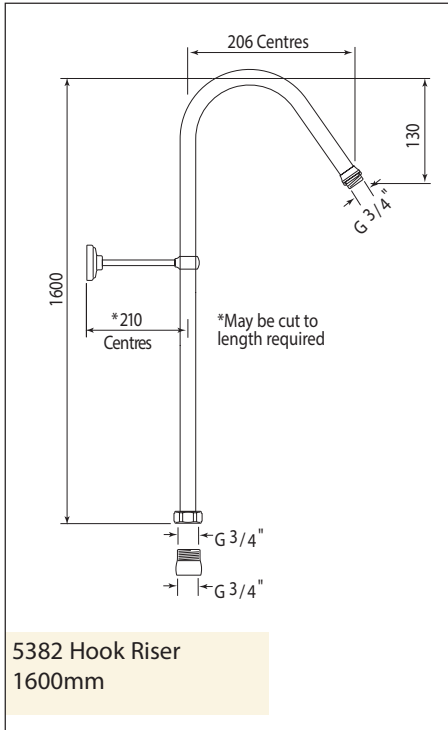


Specification 5382 5392



Hook Riser



Packed Weight: 5382 3.1Kg
5392 1.9Kg

Temp Range:
Min 1°C / 34°F
Max 85°C / 185°F

Recommended working pressure:
Min 0.5 bar / 7psi
Max 5 bar / 75 psi

Specification 5382 5392



Hook Riser

Where * Indicated Specify Colour.

