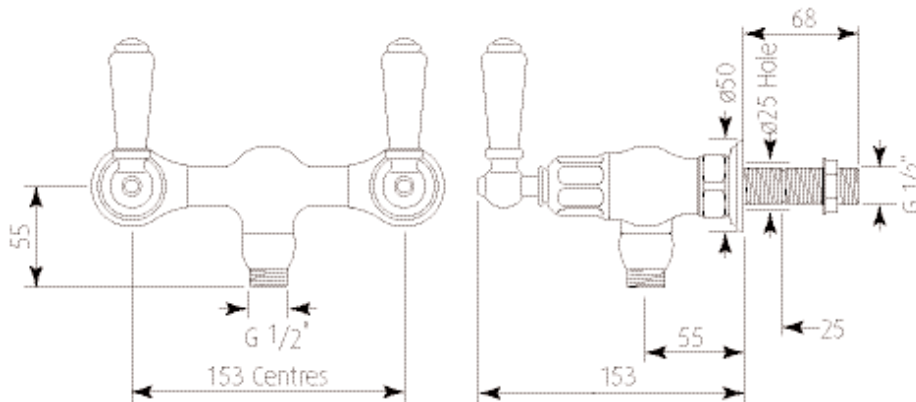


Specification 5510



Two Handle Shower Mixer with Wall Unions,
Down Outlet & Lever Handles

- 1/4 turn ceramic disc flow control • Vernier insert for accurate handle alignment
- Unique handle construction with integral bearing ring



Packed Weight: 2.3Kg

Temp Range:

Min 1°C / 34°F

Max 85°C / 185°F

Recommended working pressure:

Min 0.5 bar / 7psi

Max 5 bar / 75 psi



Specification 5510

Two Handle Shower Mixer with Wall Unions,
Down Outlet & Lever Handles

- 1/4 turn ceramic disc flow control • Vernier insert for accurate handle alignment
- Unique handle construction with integral bearing ring

Where * Indicated Specify Colour.

