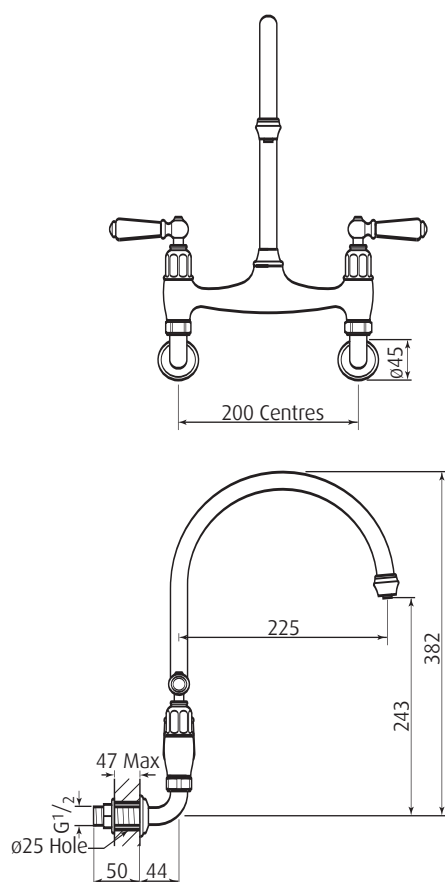


Specification 4183



Ionian Two Hole Sink Mixer with Wall Unions and Porcelain Lever Handles

- 1/4 turn ceramic disc flow control. ● vernier insert for accurate handle alignment.
- unique handle construction with integral bearing ring. ● Biflow ● Corian handles



Temp Range:

min 1°C/34°F
max 85°C/185°F

Recommended working pressure:

min 0.2 bar/3psi
max 5 bar/75psi



Specification 4183



Ionian Two Hole Sink Mixer with Wall Unions and Porcelain Lever Handles

- 1/4 turn ceramic disc flow control. ● vernier insert for accurate handle alignment.
- unique handle construction with integral bearing ring. ● Biflow ● Corian handles

Where * Indicated Specify Colour.

