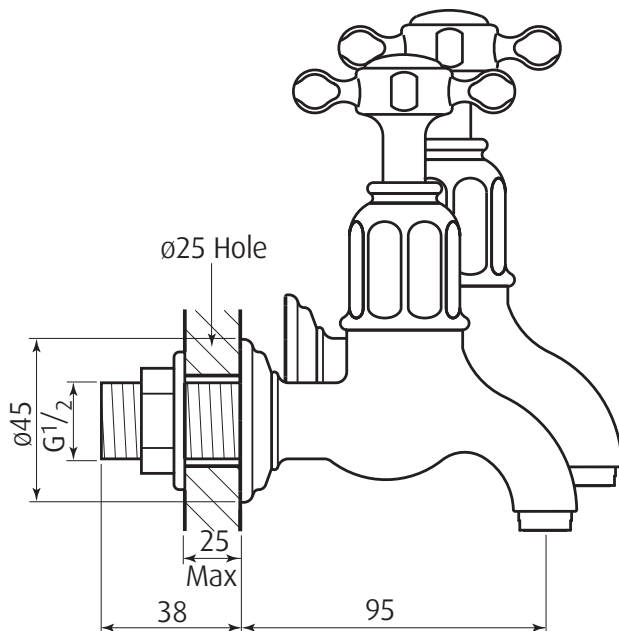


Specification 4328

Mayan Bibcock Taps, Wall Mounted with Crosshead Handles (pair)

- 1/4 turn ceramic disc flow control. ● vernier insert for accurate handle alignment.
- unique handle construction with integral bearing ring.



Temp Range:

min 1°C/34°F

max 85°C/185°F

Recommended working pressure:

min 0.2 bar/3 psi

max 5 bar/75 psi



Specification 4328

Mayan Bibcock Taps, Wall Mounted with Crosshead Handles (pair)

- 1/4 turn ceramic disc flow control. ● vernier insert for accurate handle alignment.
- unique handle construction with integral bearing ring.

Where * Indicated Specify Colour.

