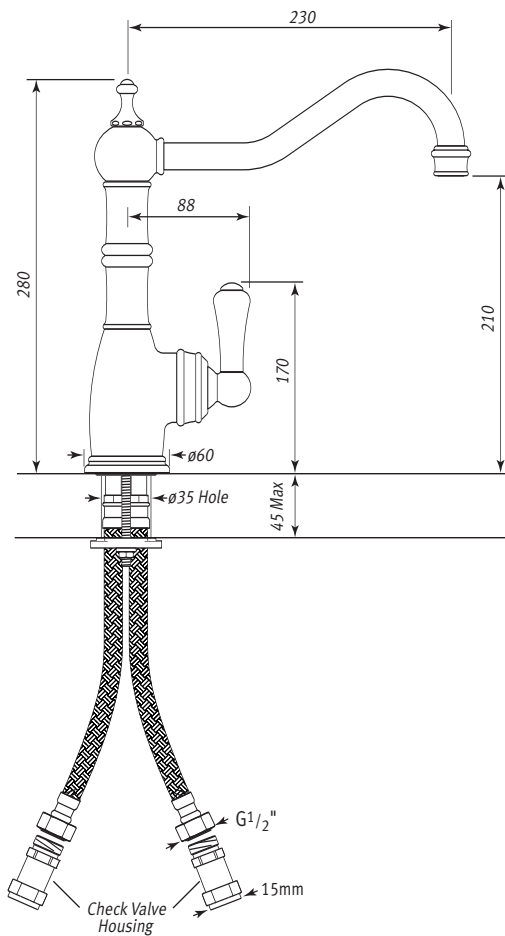


# Specification 4741

## Aquitaine Single Lever Monobloc Mixer

- Easy to operate single handle design.
- Flexible connectors for easier installation.



### Temp Range:

min 1°C/34°F  
max 85°C/185°F

### Recommended working pressure:

min 1 bar/15 psi  
max 5 bar/75psi



# Specification 4741

## Aquitaine Single Lever Monobloc Mixer

- Easy to operate single handle design.
- Flexible connectors for easier installation.

Where \* Indicated Specify Colour.

