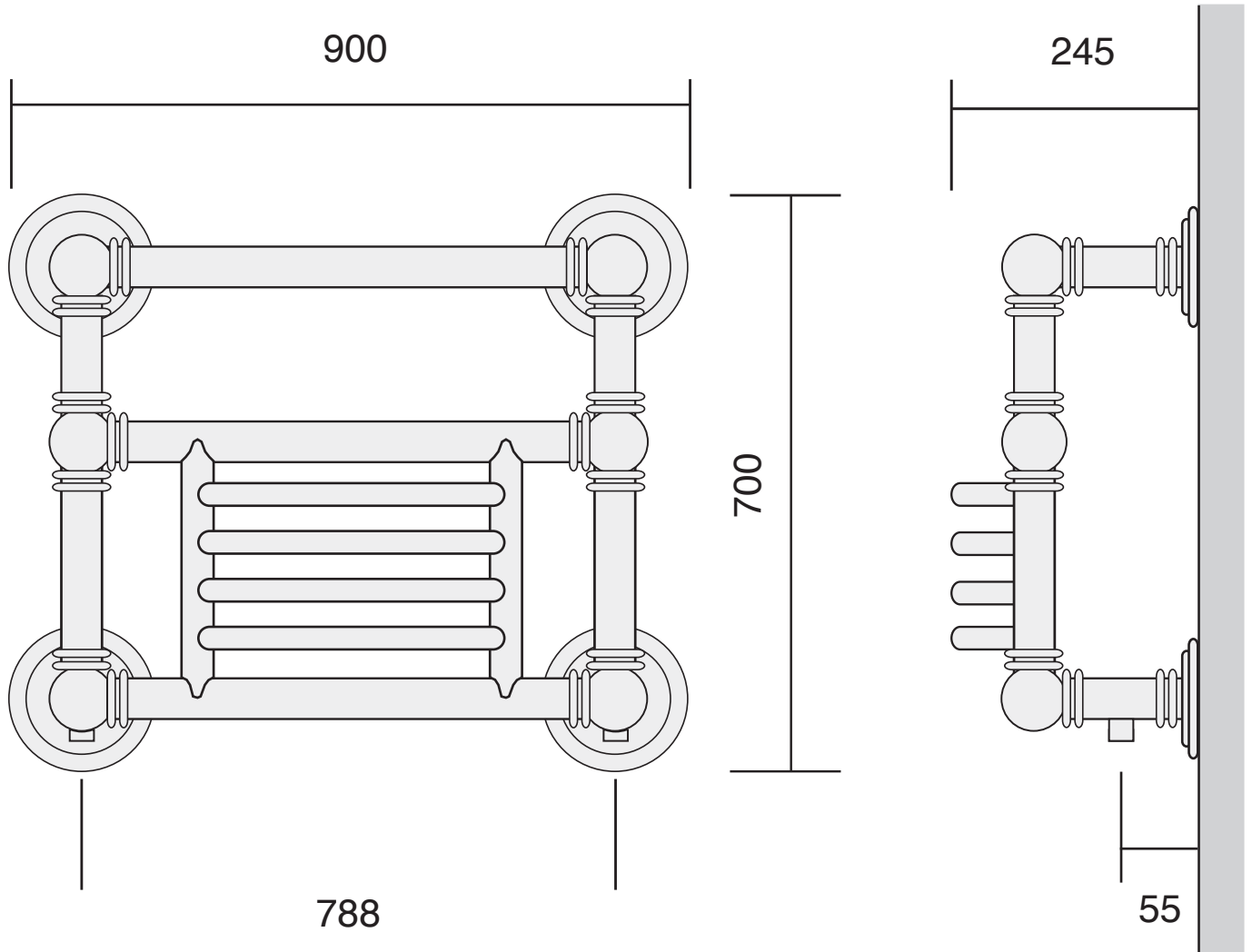




All dimensions are in mm and may vary + - 5mm as they are hand made, hand soldered and polished



Test pressure: **6 BAR**

Max working pressure: **3 BAR**

Max working temperature: **100 °C**

Connections: **1/2" FI**

Heat output determined in accordance with EN 442

Btu/hr @ Delta 60: **3057**

Height over flange: **700**

Width over flange: **900**

Overall projection: **245**

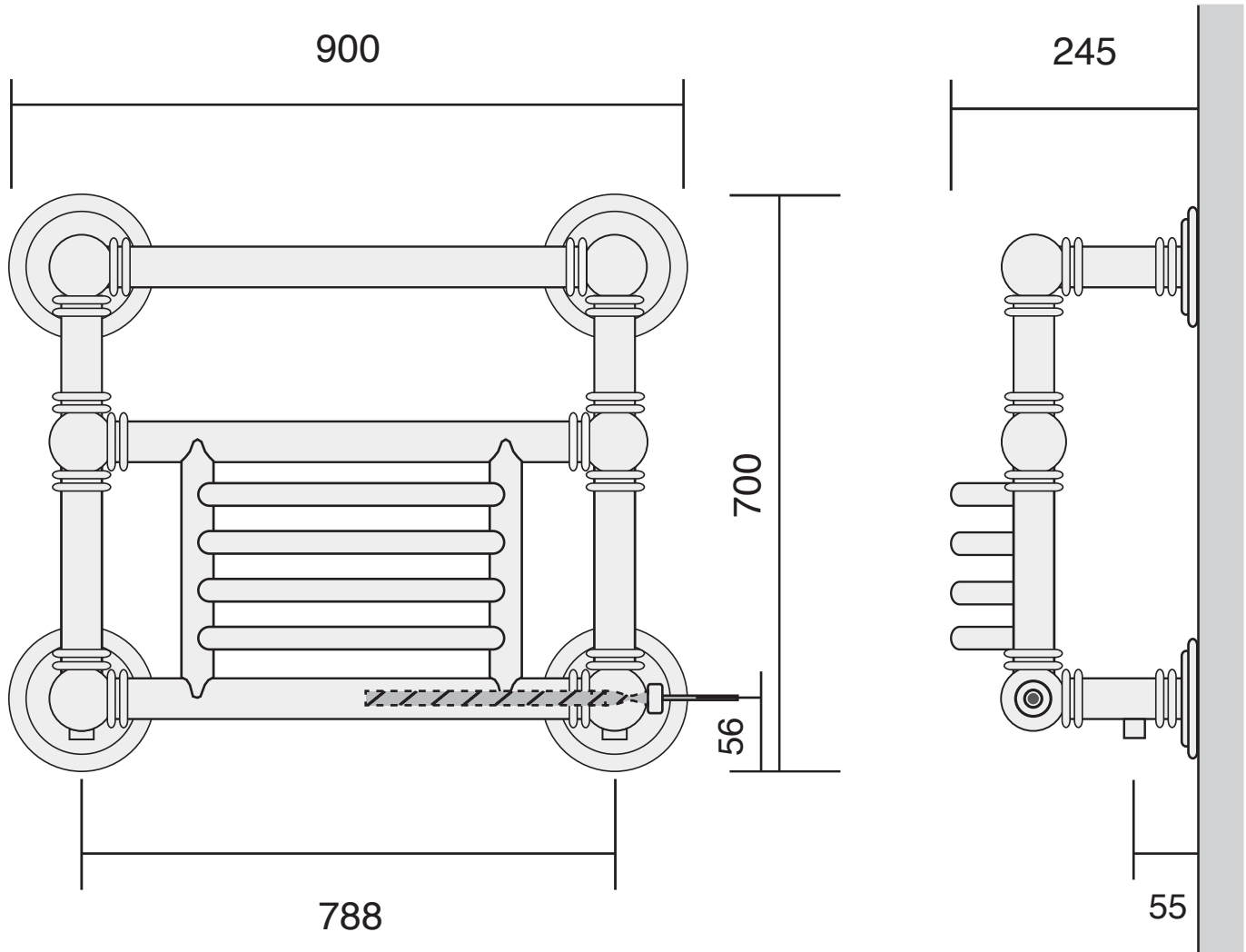
Valve centres: **788**

Tube \varnothing mm: **38.1**

Bard & Brazier rails are made in England from high quality brass and can be used on open or closed circuits



All dimensions are in mm and may vary +/- 5mm as they are hand made, hand soldered and polished



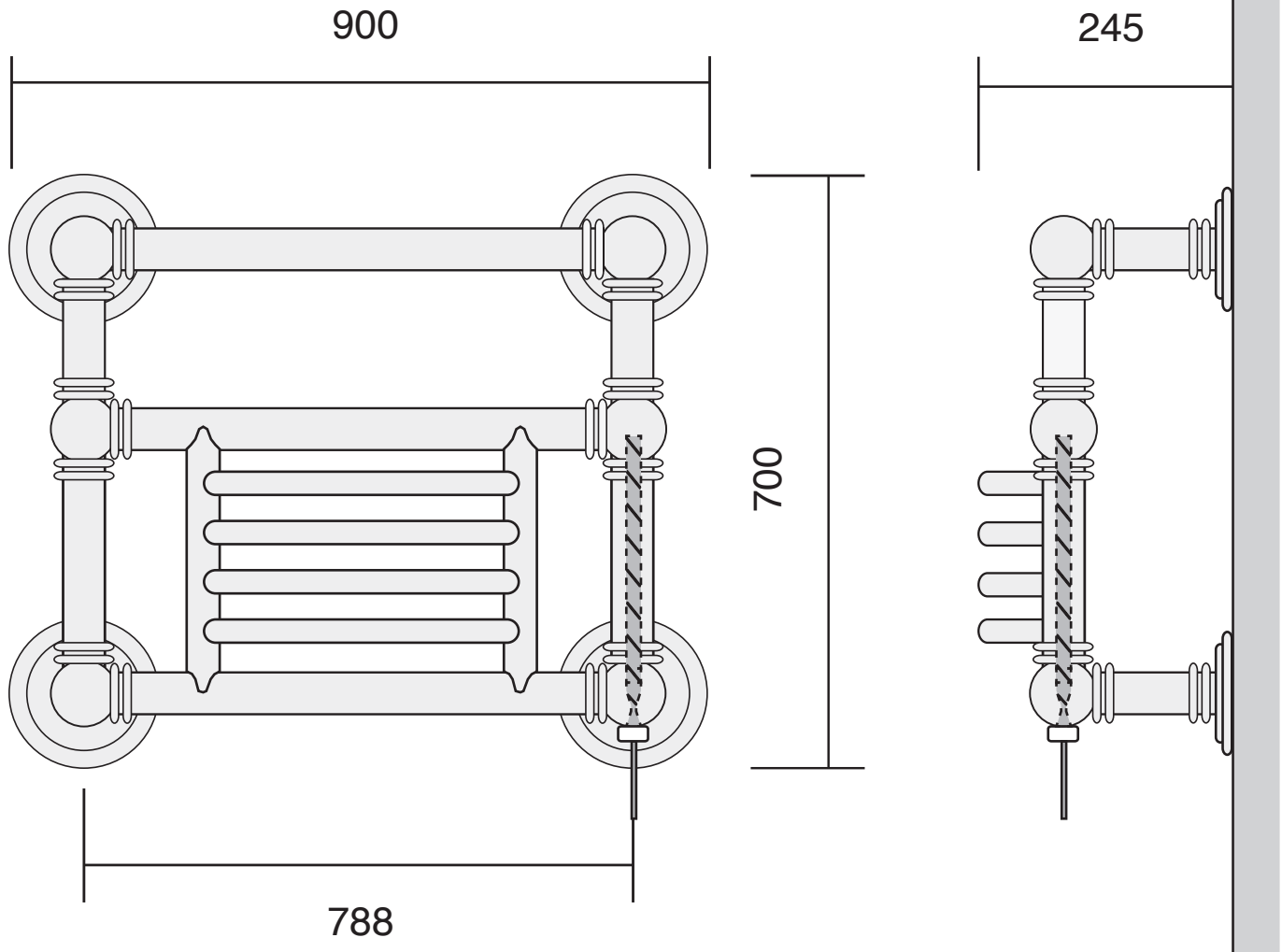
Test pressure: **6 BAR**
 Max working pressure: **3 BAR**
 Max working temperature: **100 °C**
 Connections: **1/2" FI**
 Electric element: **Right hand**
 Heat output determined in accordance with EN 442

Btu/hr @ Delta 60: **3057**
 Electric element wattage: **250**
 Height over flange: **700**
 Width over flange: **900**
(Approx 70mm required in addition for element)
 Overall projection: **245**
 Valve centres: **788**
 Tube \varnothing mm: **38.1**

Bard & Brazier rails are made in England from high quality brass and can be used on open or closed circuits



All dimensions are in mm and may vary +/- 5mm as they are hand made, hand soldered and polished



Test pressure: **6 BAR**
Electric element: **Right hand**
Heat output determined in accordance with EN 442

Electric element wattage: **250**
Height over flange: **700**
(Approx 70mm required in addition for element)
Width over flange: **900**
Overall projection: **245**
Tube \varnothing mm: **38.1**

Bard & Brazier rails are made
in England from high quality brass