



**LEFROY BROOKS**

IBROC HOUSE ESSEX ROAD  
HODDESDON HERTS EN11 0QS UK  
T: +44 (0)1992 708 316 F: +44 (0)1992 708 317

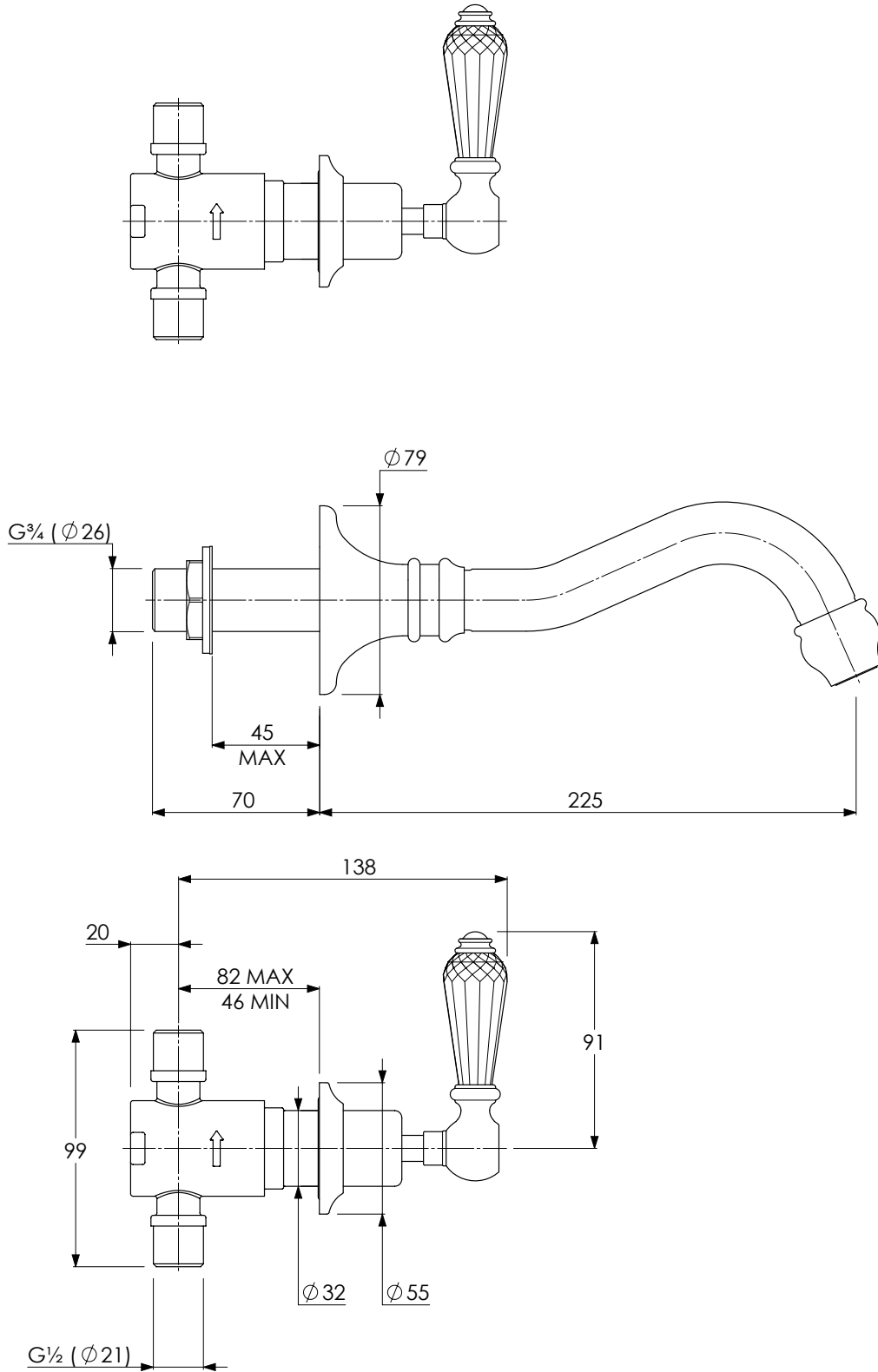
# CR1290

LA CHAPELLE WALL MOUNTED BATH SPOUT  
WITH CRYSTAL LEVERS

## DIMENSIONAL DATA SHEET

DATE: 08/02/19

REVISION: A



COPYRIGHT © LBIP LTD. ALL RIGHTS RESERVED

DIMENSIONS IN MILLIMETRES

WHILST EVERY EFFORT IS MADE TO ENSURE THE ACCURACY OF THESE DATA SHEETS THEY ARE SUBJECT TO CHANGE WITHOUT NOTICE AS PART OF THE COMPANY'S PRODUCT DEVELOPMENT PROCESS