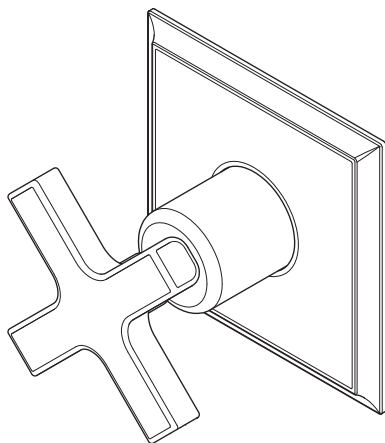
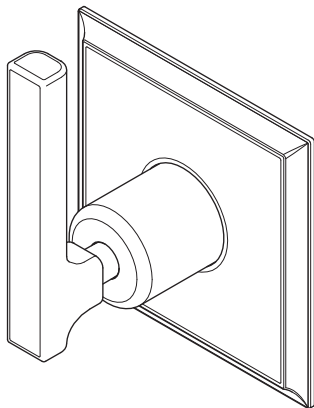


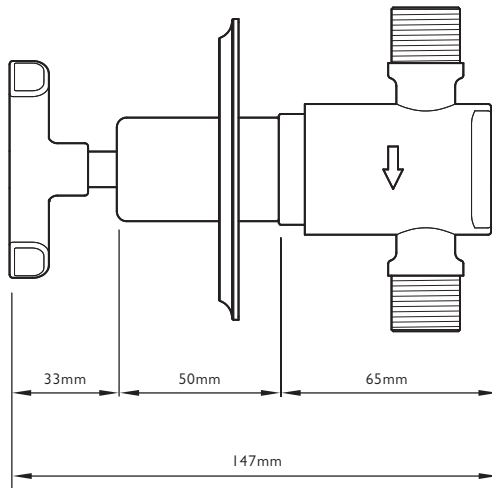
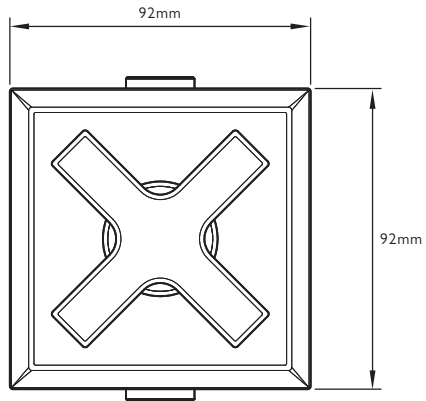
DH 5000 (CROSS HANDLE) / DL 5000 (LEVER)
WALL MOUNTED FLOW VALVES
INSTALLATION GUIDE



LEFROY BROOKS

DIMENSIONS

Shown with cross handle version. Dimensions shown are the same for lever version.



Not to scale

IMPORTANT INFORMATION

Professional installation

We recommend that our products are fitted by a fully qualified professional plumber. They should be installed correctly and in accordance with all local water regulations and the system protected by non-return valves (not supplied). All products and connections should be accessible for routine servicing.

Suits all systems

This Lefroy Brooks product is potentially suitable for every possible application, type of boiler and water supply pressure. However if the supply pressure is below 1 bar it is advisable to fit a water pump. For systems with combination boilers, it is not advisable to fit pumps (refer to boiler manufacturer).

Supply temperature safety notice

Flow valves supplied from the mains hot water supply only.

A thermostatic mixing valve (TMV) should be fitted (not supplied) to the hot supply to restrict the temperature to a safe working/maximum temperature to comply with local building regulations, current legislation, relevant standards and codes of practice. Maximum allowed temperatures vary subject to type of installation or specification of building.

Flow valves supplied from a thermostatic shower control.

There is no need to fit a thermostatic mixing valve (TMV).

Flushing system

It is most important to flush out all pipework thoroughly before connecting the product. This is the single most common cause of ceramic cartridge failure.

Balancing flow

When using wall valves as separate hot and cold supplies, if a significant difference in pressure exists, we advise fitting a 'flow regulator'(not supplied) to the higher or both supplies. It is also recommended that non-return valves are fitted to protect your system (not supplied).

Flow valves very often receive a mixed water supply from a thermostatic mixing valve.

Non-return valves are incorporated into your Lefroy Brooks thermostatic mixing valve.

Supply connections

Lefroy Brooks do not supply any pipework or connections for wall valves as they can be installed in a variety of configurations subject to each customers installation, design or requirements.

The hot and cold water valves are the same for basin, bath & shower installations. The only differences are the levers and cross handles. Connections should be made using 1/2" tap connectors (not compression fittings)

Water quality

In hard water areas, a suitable water treatment system should be provided to prevent limescale deposits (calcium deposits) which may effect the long term performance of the ceramic cartridge(s). Exterior surfaces should be gently wiped with a dry soft cloth after use to minimise water stains and limescale deposits.

Servicing

All serviceable parts are available to maintain your Lefroy Brooks product (contact retailer for details). Before servicing please ensure that the water supplies have been isolated and drained where necessary.

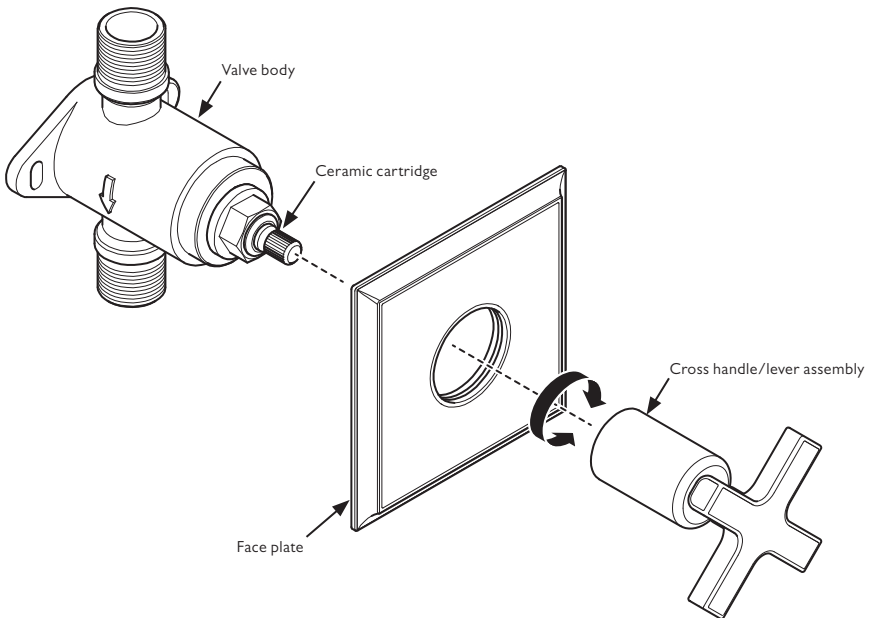
INSTALLATION

- Ensure the body is mounted correctly (the arrow on the side of the body indicates the direction of flow).
- Make sure the correct water connections are made using ½" tap connectors. Do not use 15mm compression olive connectors.

USA installation

- Remove the cartridge assembly before applying any heat to the valve body.
 - Connect to the water supply using soldered fittings.
-

SERVICING



REPLACEMENT PARTS

DH 5000 (Cross handle model)

(Ceramic cartridge) $\frac{1}{2}$ " x $\frac{1}{2}$ turn – PWV015

DL 5000 (Lever model)

(Ceramic cartridge) $\frac{1}{2}$ " x $\frac{1}{4}$ turn – PWV016



CUSTOMER SUPPORT

+44 (0)1992 708 316

LEFROYBROOKS.CO.UK

Whilst every effort is made to ensure the accuracy of these, they are subject to change without notice as part of the company's product development process. The use of trademarks, product design and artwork is subject to licence or agreement with LBIP Ltd. The design registrations, trademark registrations and copyrights are protected by law and the use or reproduction outside the terms of an agreement is prohibited. The right to modify designs and dimensions is reserved. LBIP Ltd is a member of ACID (Anti Copying in Design).