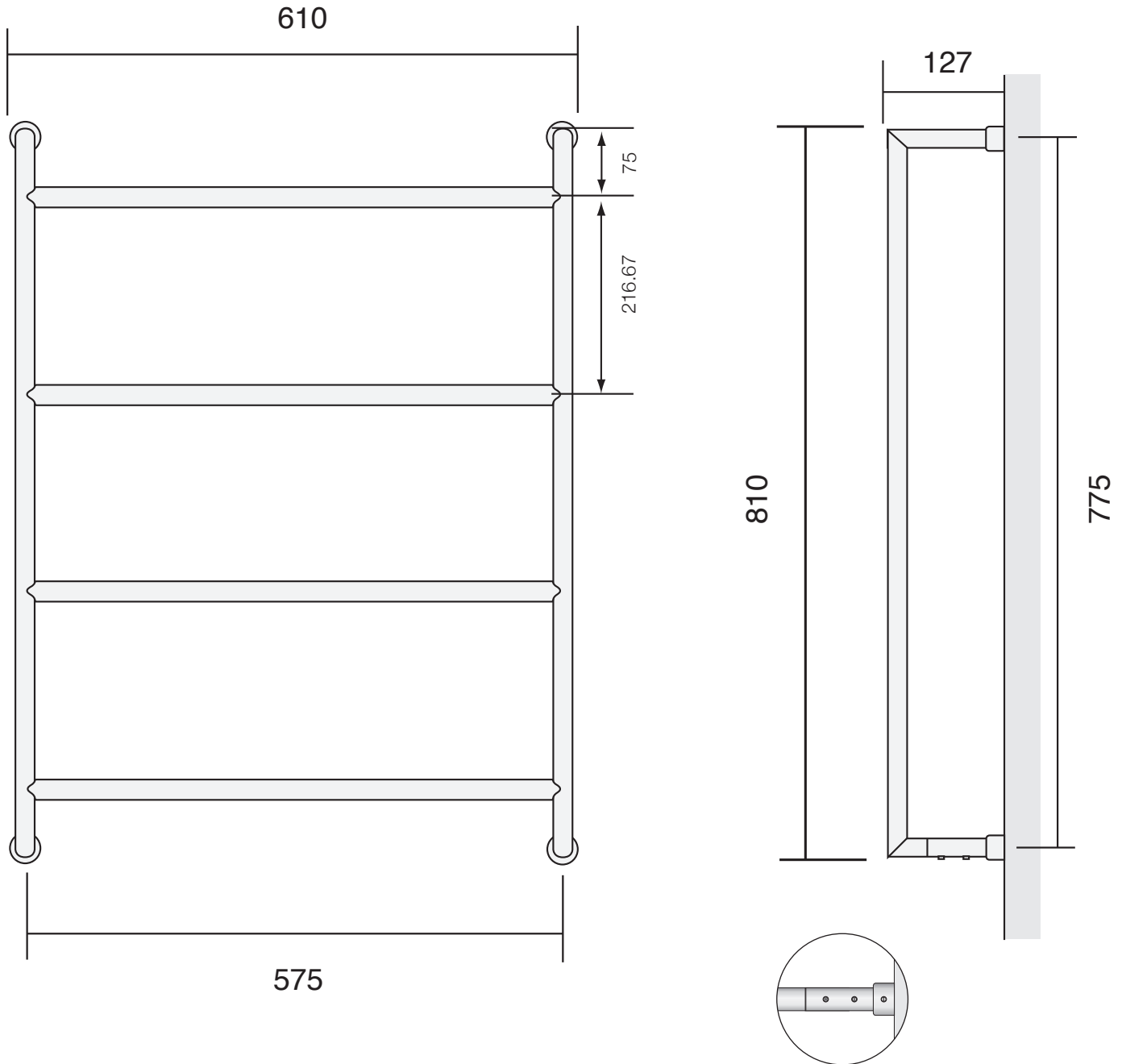




All dimensions are in mm and may vary + - 5mm as they are hand made, hand soldered and polished



Enlarged image of concealed valve

Test pressure: **6 BAR**

Max working pressure: **3 BAR**

Max working temperature: **100° C**

Connections: **15mm compression**

Heat output determined in accordance with EN 442

Btu/hr @ Delta 60: **640**

Height over flange: **810**

Width over flange: **610**

Overall projection: **127**

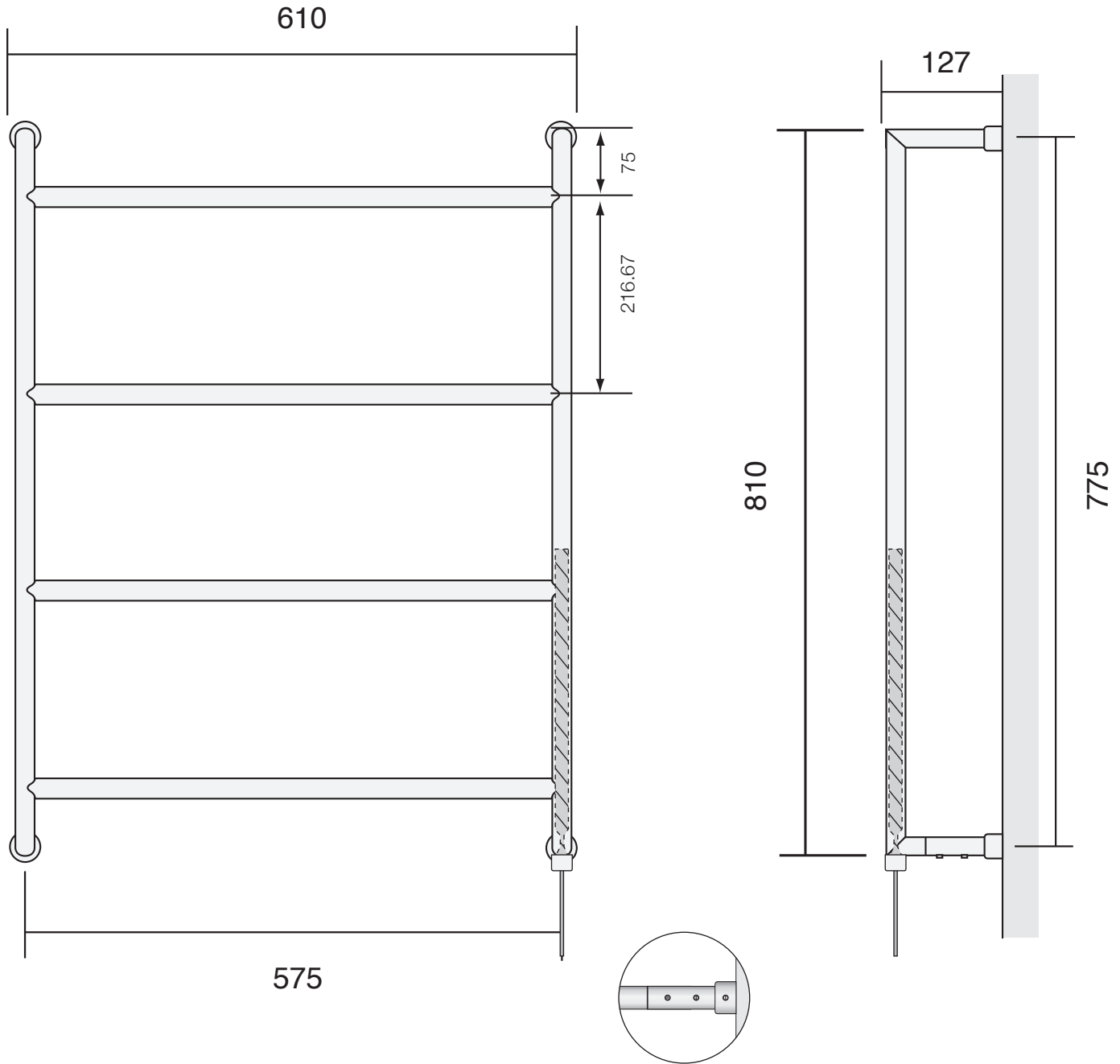
Pipe centre for valves: **575**

Tube  $\varnothing$  mm: **25**

Bard & Brazier rails are made in England from high quality brass and can be used on open or closed circuits



All dimensions are in mm and may vary + - 5mm as they are hand made, hand soldered and polished



Test pressure: **6 BAR**

Max working pressure: **3 BAR**

Max working temperature: **100 °C**

Connections: **15mm compression**

Electric element: **Right hand**

Heat output determined in accordance with EN 442

Btu/hr @ Delta 60: **640**

Electric element wattage: **75**

Overall height: **810**  
(Approx 105mm required in addition for element)

Width over flange: **610**

Overall projection: **127**

Pipe centre for valves: **575**

Tube  $\varnothing$  mm: **25**

Bard & Brazier rails are made  
in England from high quality brass  
and can be used on open or closed  
circuits