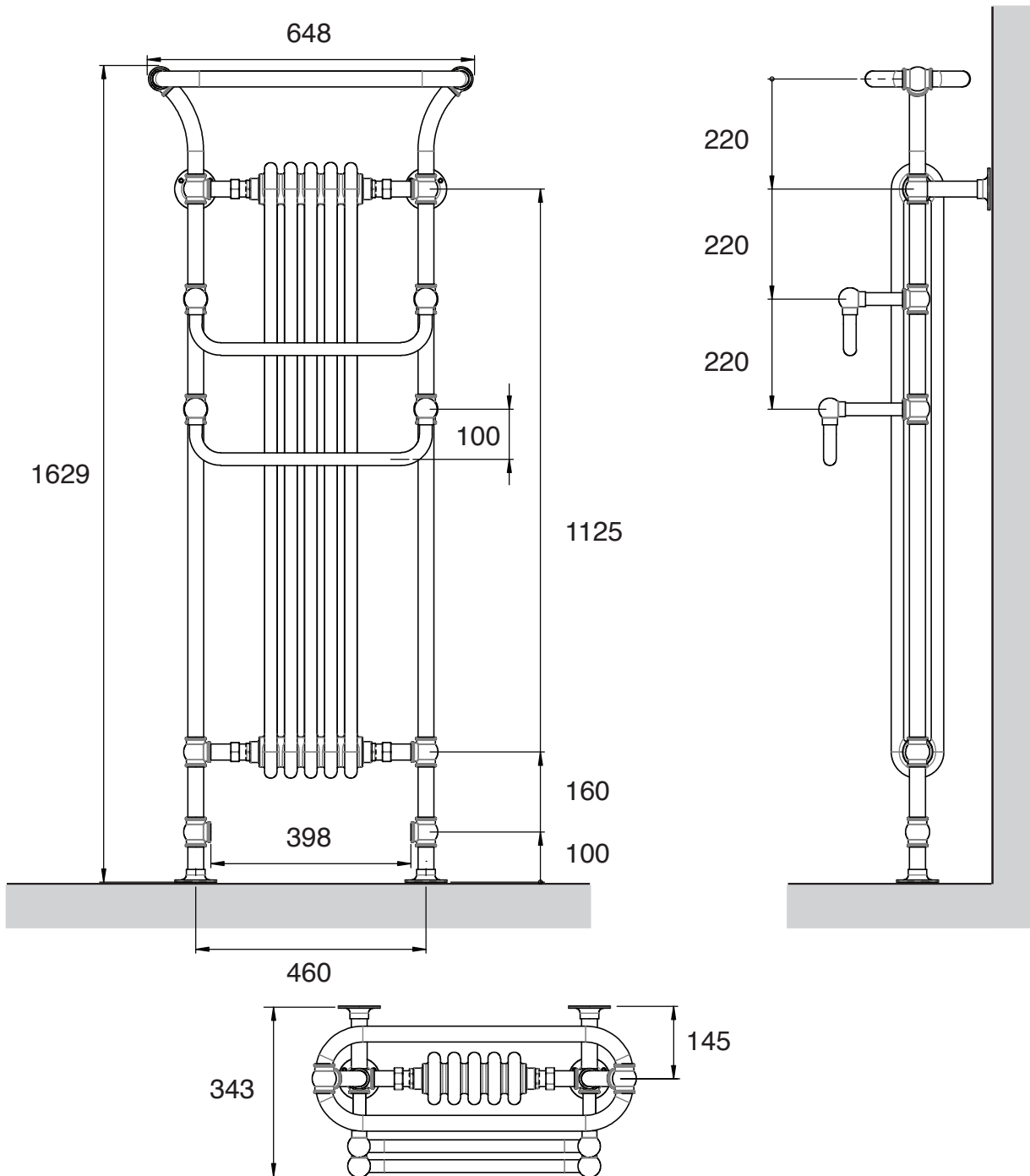




All dimensions are in mm and may vary +/- 5mm as they are hand made, hand soldered and polished



Test pressure: **6 BAR**
 Max working pressure: **3 BAR**
 Max working temperature: **100 C**
 Connections: **1/2" FI**

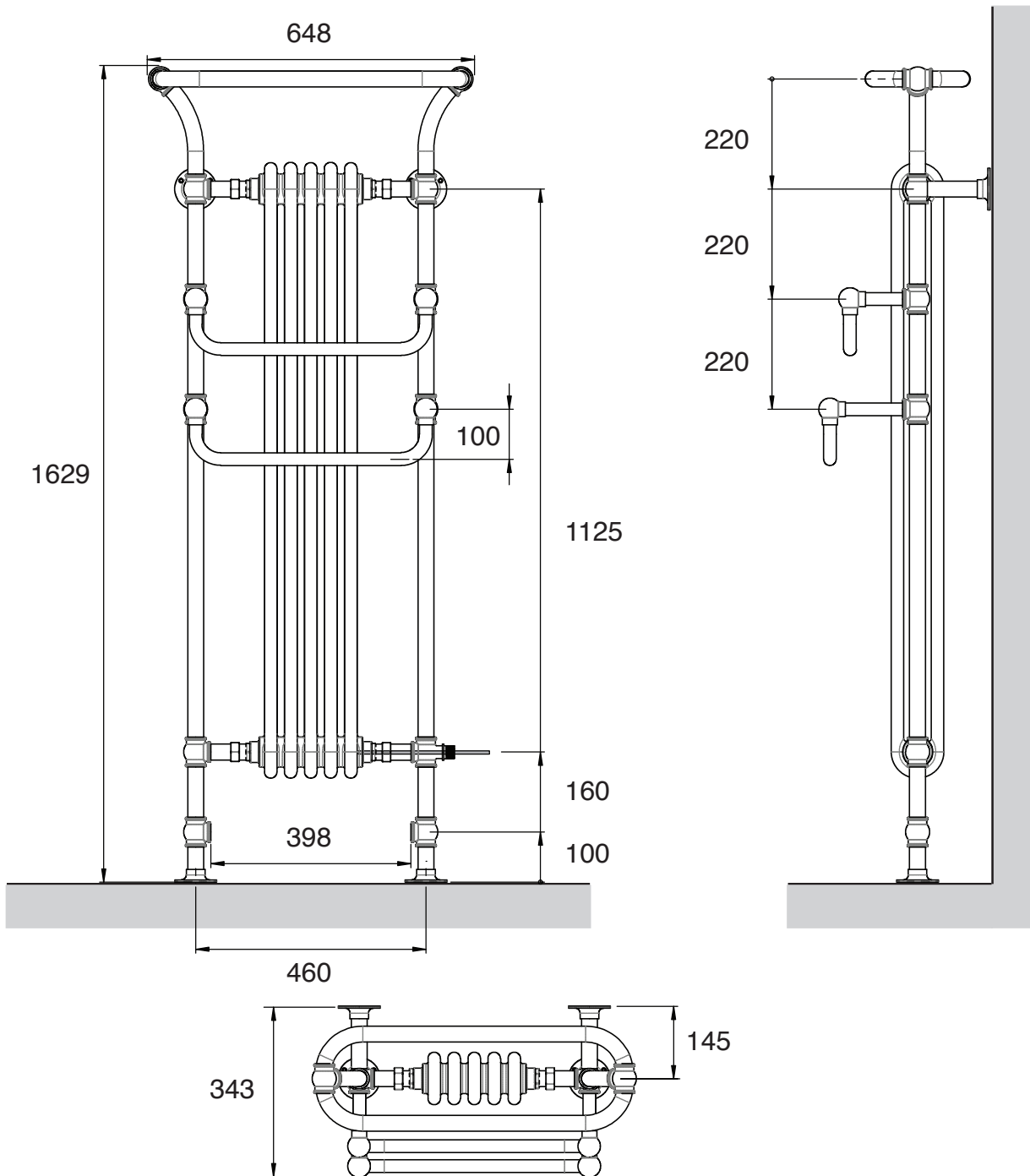
Heat output determined in accordance with EN 442

Btu/hr @ Delta 60: **5328**
 Height over flange: **1629**
 Width over flange: **648**
 Overall projection: **343**
 Face to face tappings: **398**
 Tube \varnothing mm: **31.8**

The Bard & Brazier Florian rail is made in England from high quality brass and can only be used on closed circuits



All dimensions are in mm and may vary +/- 5mm as they are hand made, hand soldered and polished



Test pressure: **6 BAR**
Max working pressure: **3 BAR**
Max working temperature: **100 C**
Connections: **1/2" FI**

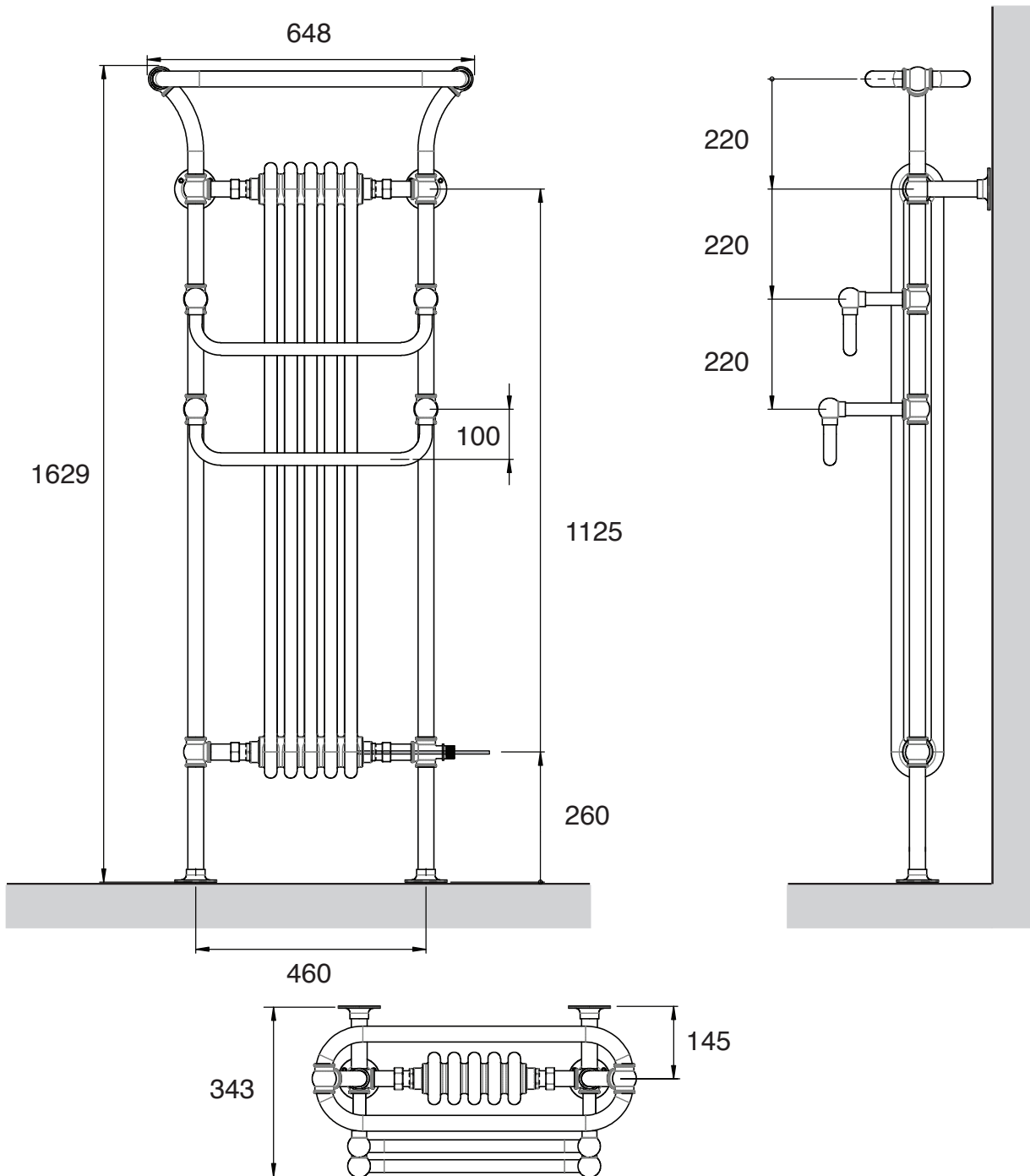
Heat output determined in accordance with EN 442

Btu/hr @ Delta 60: **5328**
Electric element wattage: **250**
Height over flange: **1629**
Width over flange: **648**
(Approx 70mm required in addition for element)
Overall projection: **343**
Face to face fittings: **398**
Tube \varnothing mm: **31.8**

The Bard & Brazier Florian rail is made in England from high quality brass and can only be used on closed circuits



All dimensions are in mm and may vary +/- 5mm as they are hand made, hand soldered and polished



Test pressure: **6 BAR**
Max working pressure: **3 BAR**
Max working temperature: **100 C**
Connections: **1/2" FI**

Heat output determined in accordance with EN 442

Electric element wattage: **250**
Height over flange: **1629**
Width over flange: **648**
(Approx 70mm required in addition for element)
Overall projection: **343**
Tube \varnothing mm: **31.8**

The Bard & Brazier Florian rail is made in England from high quality brass and can only be used on closed circuits