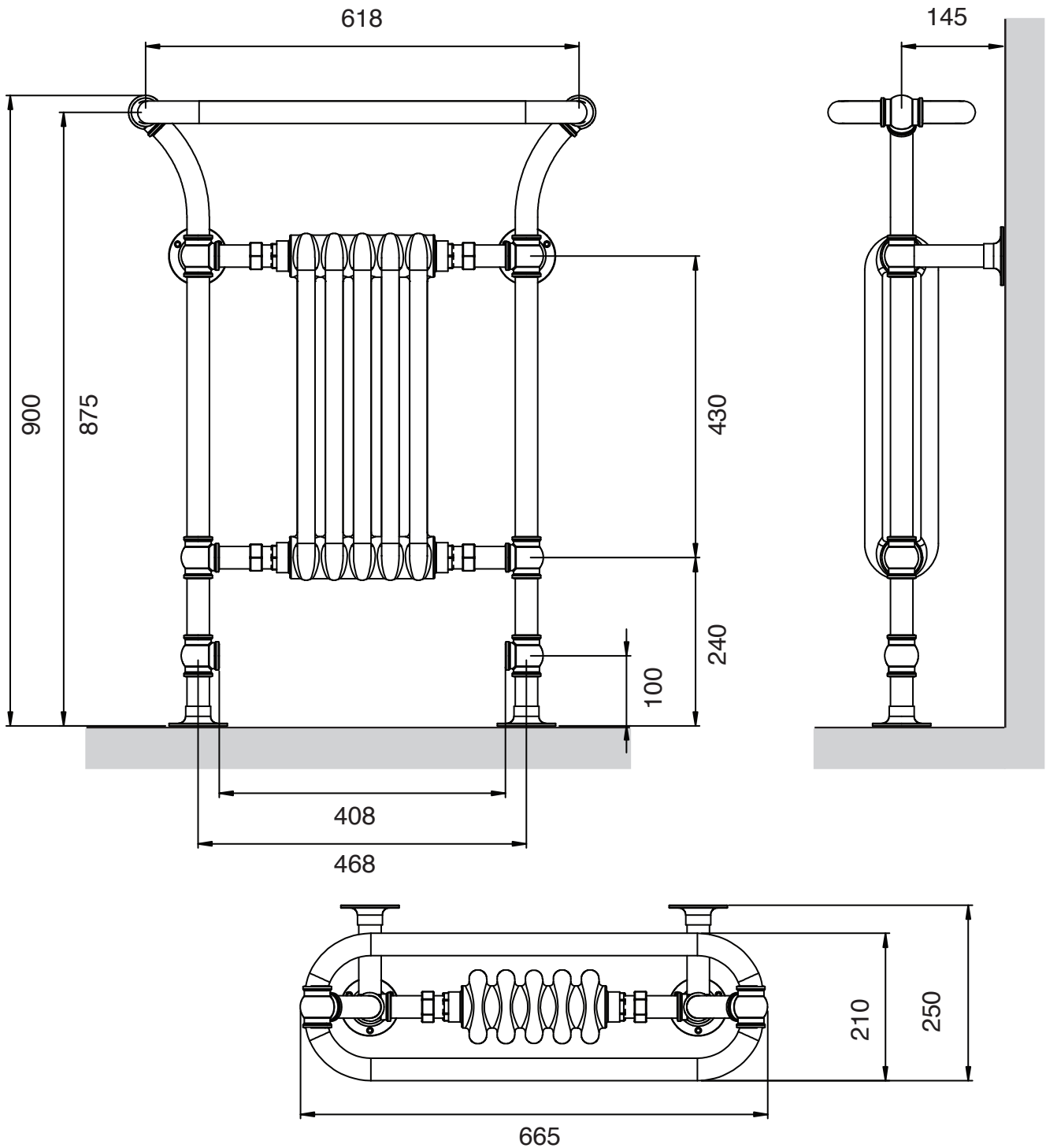




All dimensions are in mm and may vary +/- 5mm as they are hand made, hand soldered and polished

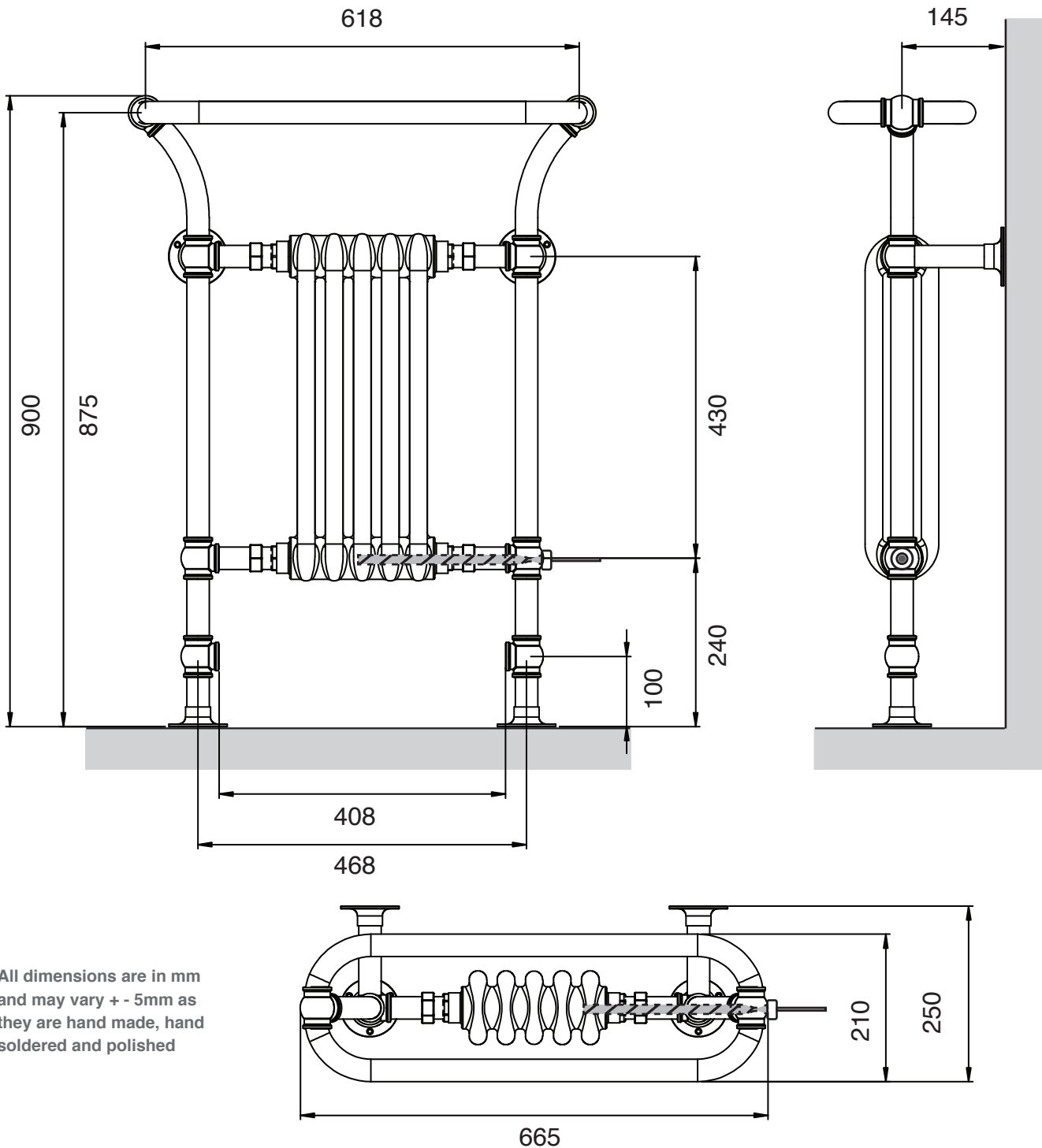


Test pressure: **6 BAR**  
 Max working pressure: **3 BAR**  
 Max working temperature: **100 °C**  
 Connections: **1/2" FI**

Heat output determined in accordance with EN 442

Btu/hr @ Delta 60: **3250**  
 Height over flange: **900**  
 Width over flange: **665**  
 Overall projection: **250**  
 Face to face tappings: **408**  
 Tube Ø mm: **31.8**

The Bard & Brazier Florian rail is made in England from high quality brass and can only be used on closed circuits



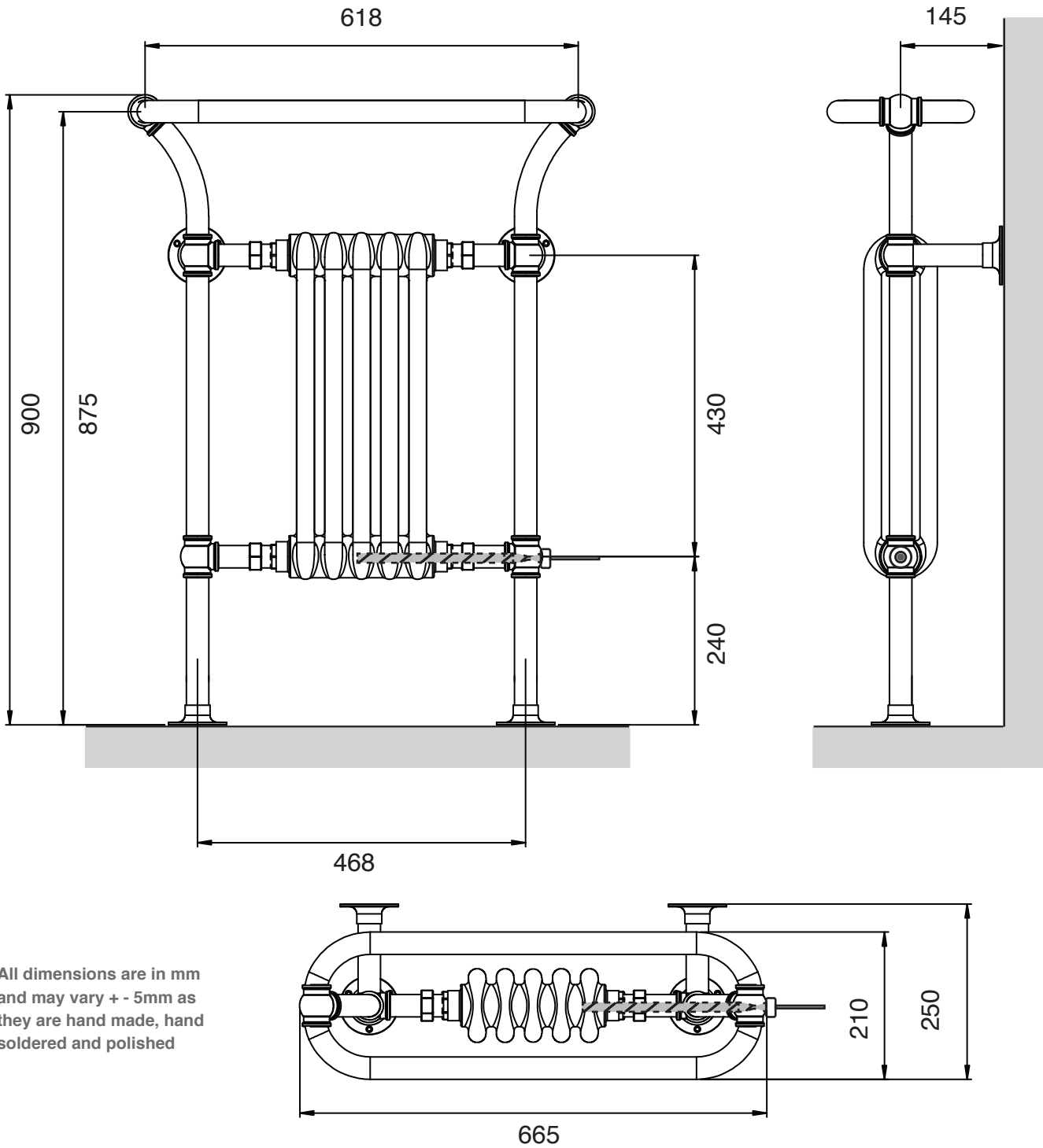
All dimensions are in mm and may vary + - 5mm as they are hand made, hand soldered and polished

Test pressure: **6 BAR**  
Max working pressure: **3 BAR**  
Max working temperature: **100 °C**  
Connections: **1/2" FI**

Heat output determined in accordance with EN 442

Btu/hr @ Delta 60: **3250**  
Electric element wattage: **250**  
Height over flange: **900**  
Width over flange: **665**  
(Approx 70mm required in addition for element)  
Overall projection: **250**  
Face to face tappings: **408**  
Tube Ø mm: **31.8**

The Bard & Brazier Florian rail is made in England from high quality brass and can only be used on closed circuits



All dimensions are in mm and may vary + - 5mm as they are hand made, hand soldered and polished

Test pressure: **6 BAR**  
Electric element: **Right hand**  
Heat output determined in accordance with EN 442

Electric element wattage: **250**  
Height over flange: **900**  
Width over flange: **665**  
(Approx 70mm required in addition for element)  
Overall projection: **250**  
Tube  $\varnothing$  mm: **31.8**

The Bard & Brazier Florian rail is made in England from high quality brass and can only be used on closed circuits