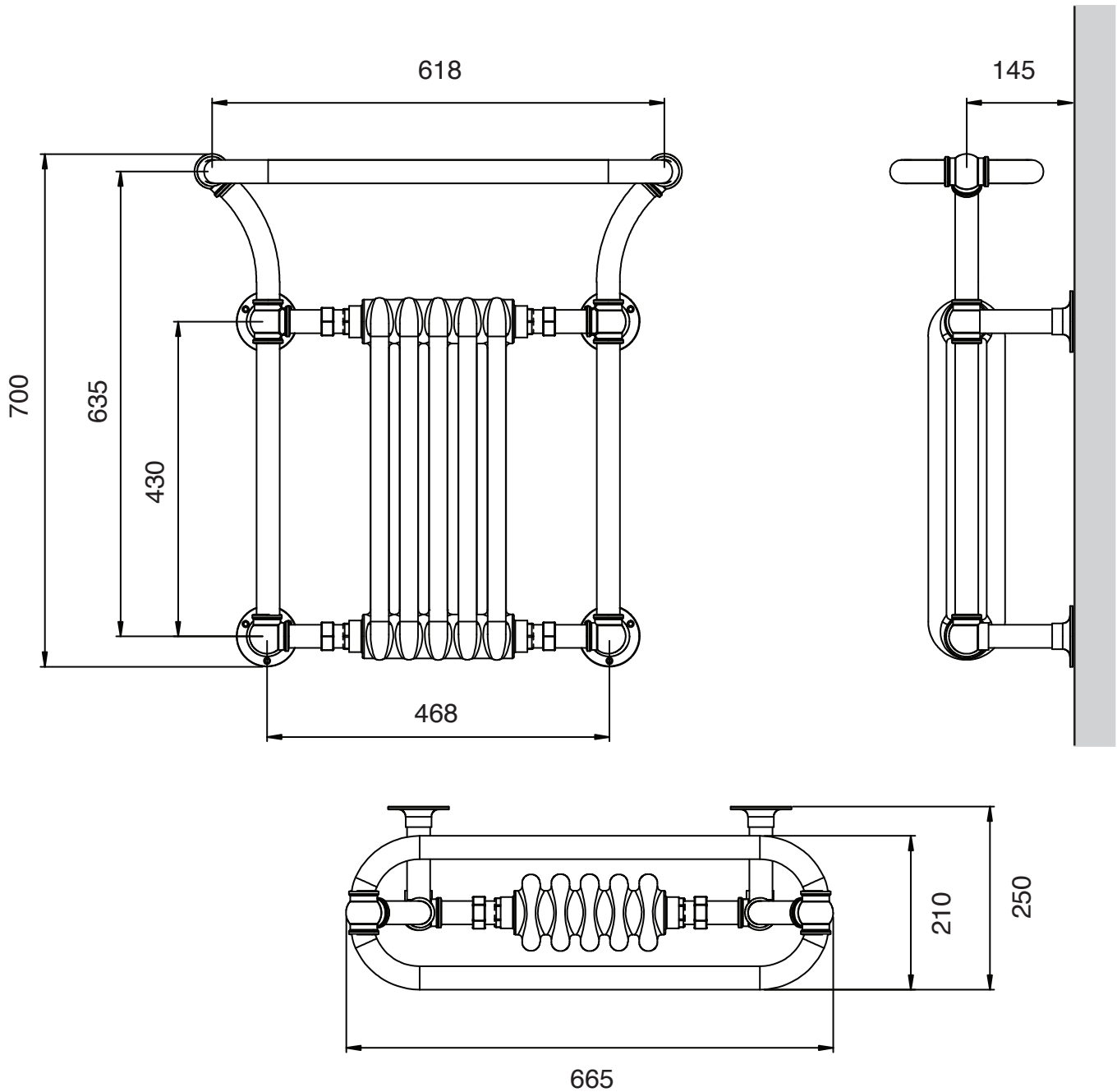




All dimensions are in mm and may vary +/- 5mm as they are hand made, hand soldered and polished



Test pressure: **6 BAR**
 Max working pressure: **3 BAR**
 Max working temperature: **100 C**
 Connections: **1/2" FI**

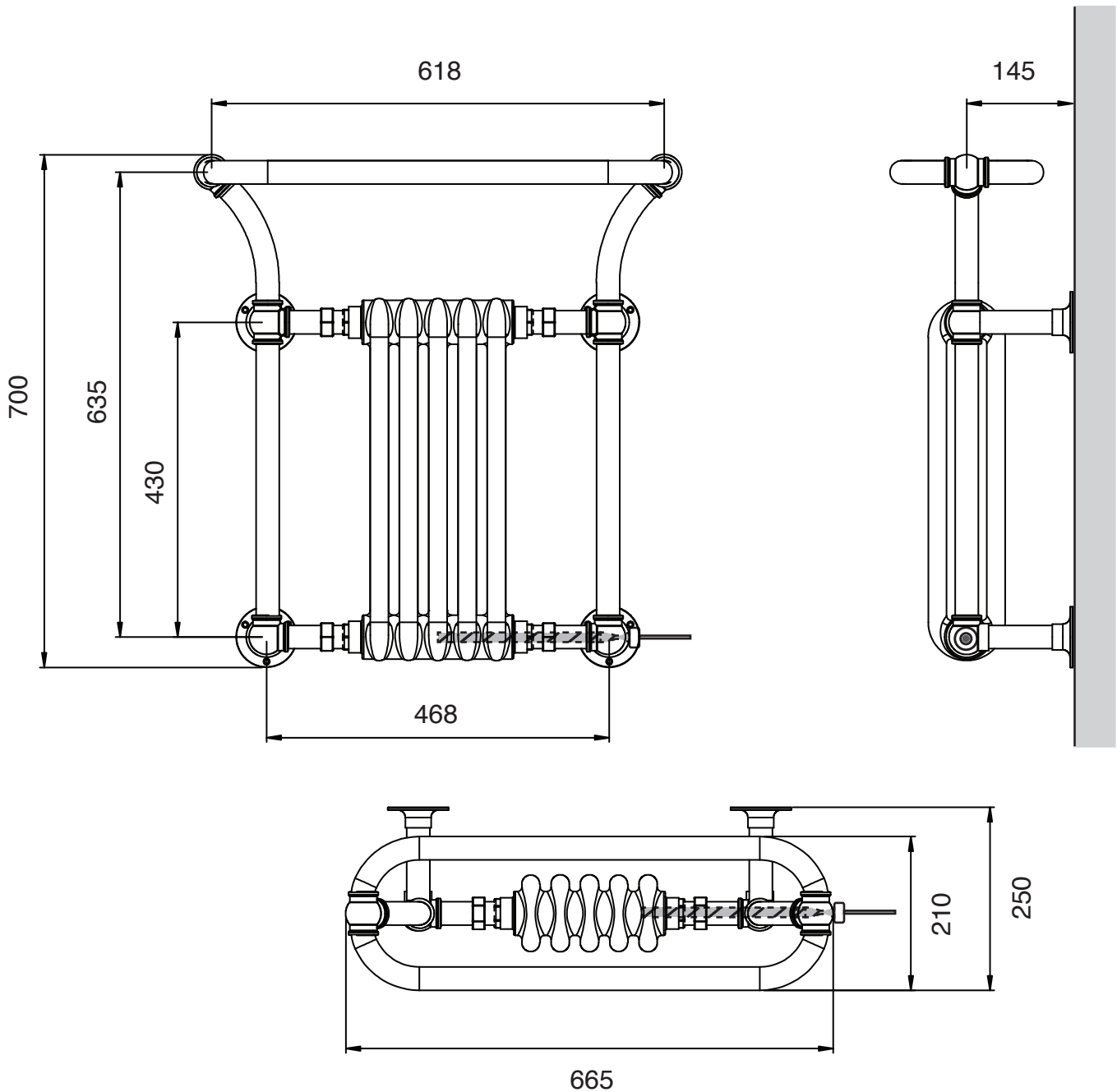
Heat output determined in accordance with EN 442

Btu/hr @ Delta 60: **2862**
 Height over flange: **700**
 Width over flange: **665**
 Overall projection: **250**
 Tube Ø mm: **31.8**

The Bard & Brazier Florian rail is made in England from high quality brass and can only be used on closed circuits



All dimensions are in mm and may vary + - 5mm as they are hand made, hand soldered and polished



Test pressure: **6 BAR**

Max working pressure: **3 BAR**

Max working temperature: **100 C**

Connections: **1/2" FI**

Heat output determined in accordance with EN 442

Btu/hr @ Delta 60: **2862**

Electric element wattage: **250**

Height over flange: **700**

Width over flange: **665**
(Approx 70mm required in addition for element)

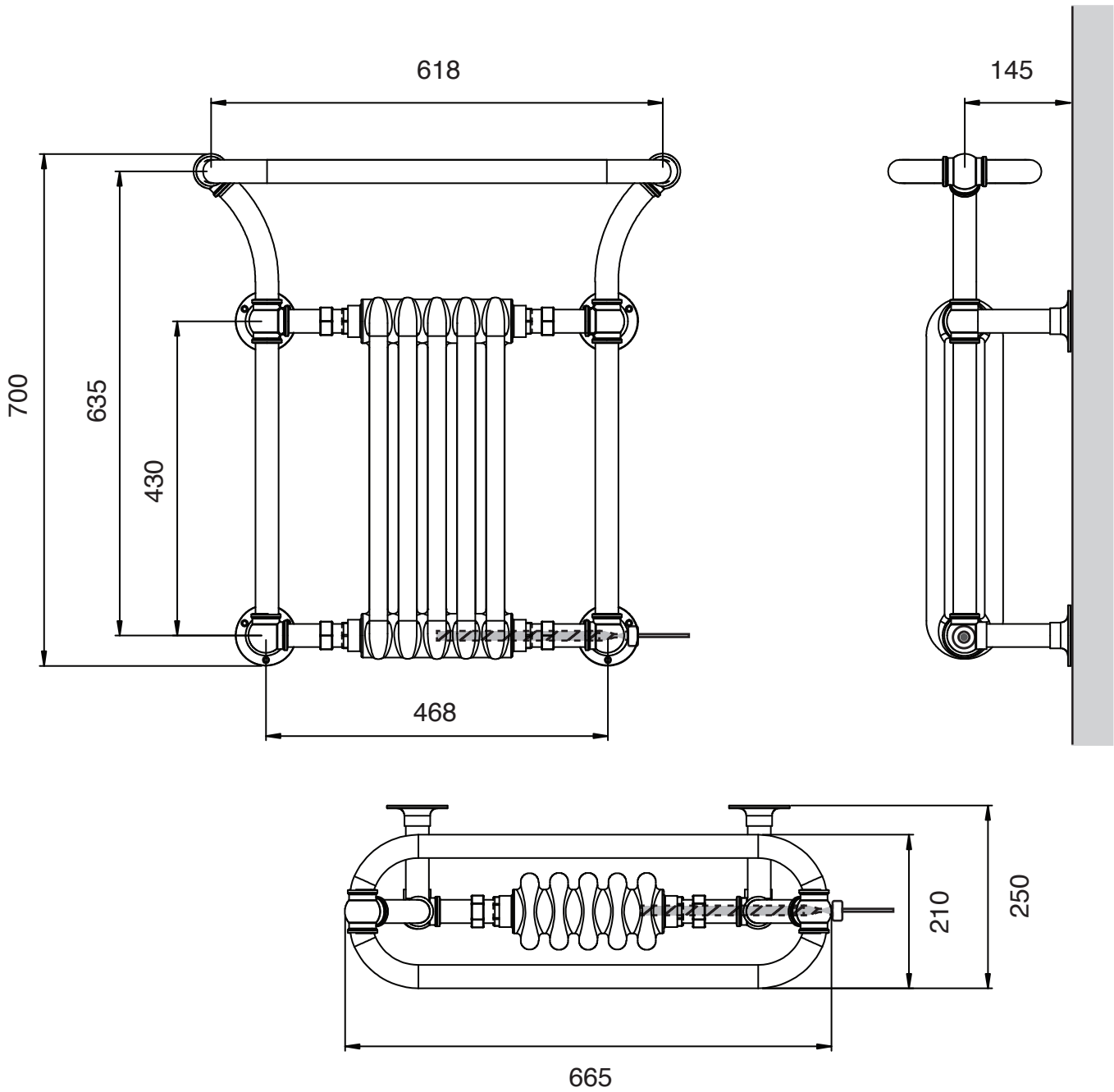
Overall projection: **250**

Tube Ø mm: **31.8**

The Bard & Brazier Florian rail is made in England from high quality brass and can only be used on closed circuits



All dimensions are in mm and may vary + - 5mm as they are hand made, hand soldered and polished



Test pressure: **6 BAR**
Electric element: **Right hand**
Heat output determined in accordance with EN 442

Electric element wattage: **250**
Height over flange: **700**
Width over flange: **665**
(Approx 70mm required in addition for element)
Overall projection: **250**
Tube \varnothing mm: **31.8**

The Bard & Brazier Florian rail is made in England from high quality brass and can only be used on closed circuits