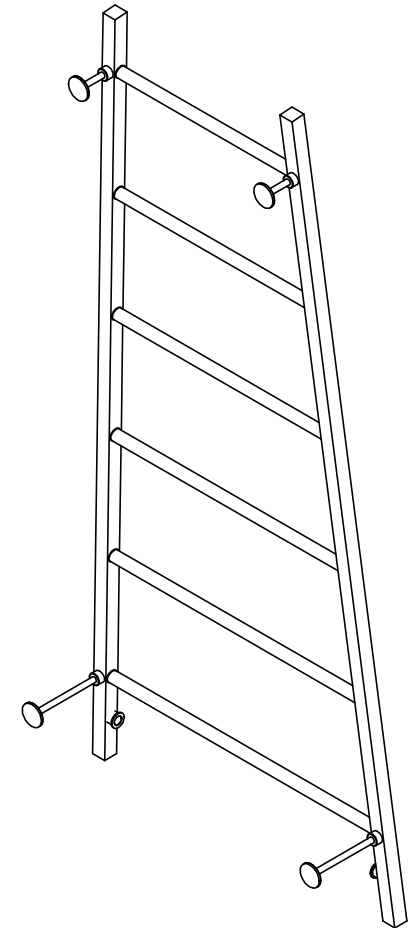



REVISION HISTORY			
REV	DESCRIPTION	DATE	INITIALS



DO NOT SCALE DRAWING

DEBUR AND BREAK SHARP EDGES

UNLESS OTHERWISE SPECIFIED: DIMENSIONS ARE IN MILLIMETERS. TOLERANCES: LINEAR: ± 0.2

TITLE: WALL MOUNTED LADDER RAIL			
SCALE:	DATE 05/11/2013	DRAWN BY MDW	
 BARD & BRAZIER	MATERIAL:	FINISH:	
	DWG NO.	SHEET A3	REVISION