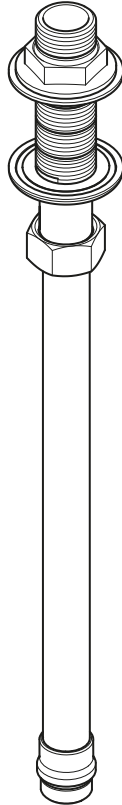


LB 1795 / LB 1799 / LBE 1799
CEILING SHOWER PROJECTION ARM (300mm) &
CONCEALED WALL OR CEILING SHOWER BRACKET
INSTALLATION GUIDE



LEFROY BROOKS

IMPORTANT INFORMATION

Professional installation

We recommend that our products are fitted by a fully qualified professional plumber. They should be installed correctly and in accordance with all local water regulations and the system protected by non-return valves (not supplied). All products should be accessible for routine servicing.

Suits all systems

This Lefroy Brooks product is potentially suitable for every possible application, type of boiler and water supply pressure. However, if your supply pressure is below 1 bar it is advisable to fit a water pump. For systems with combination boilers, it is not advisable to fit pumps (refer to boiler manufacturer).

Supplied from manual hot and cold water supplies.

A thermostatic mixing valve (TMV) should be fitted (not supplied) to the hot supply to restrict the temperature to a safe working/maximum temperature to comply with local building regulations, current legislation, relevant standards and codes of practice. Maximum allowed temperatures vary subject to type of installation or specification of building.

Supplied from a thermostatic shower control.

If the hot water supply to the thermostatic shower is 60°C or below there is no need to fit a thermostatic mixing valve (TMV)

Balancing flow

When supplied from manual hot and cold water supplies, if there is a significant difference in water pressures between hot & cold supplies, we recommend an in-line flow suppressor/regulator (supplied with exposed thermostatic shower valves) be fitted. This should be fitted to whichever has the greater flow rate.

Water quality

In hard water areas, a suitable water treatment system should be provided to prevent limescale deposits (calcium deposits). Exterior surfaces should be gently wiped with a dry soft cloth after use to minimise water stains and limescale deposits.

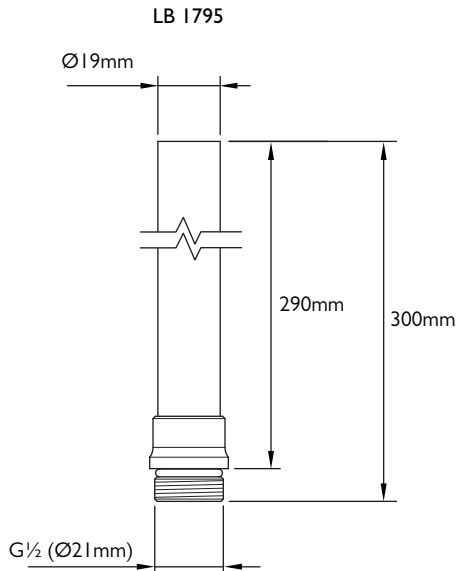
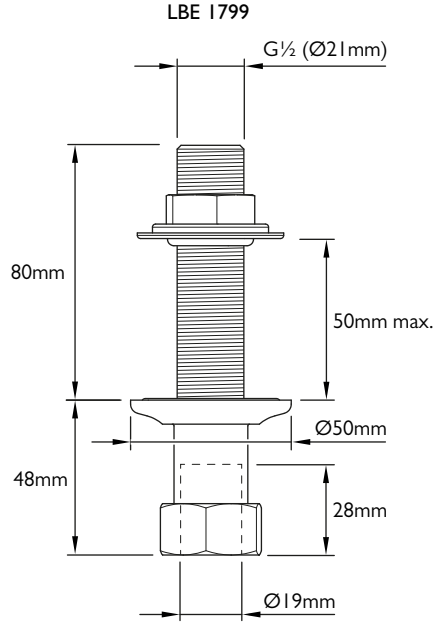
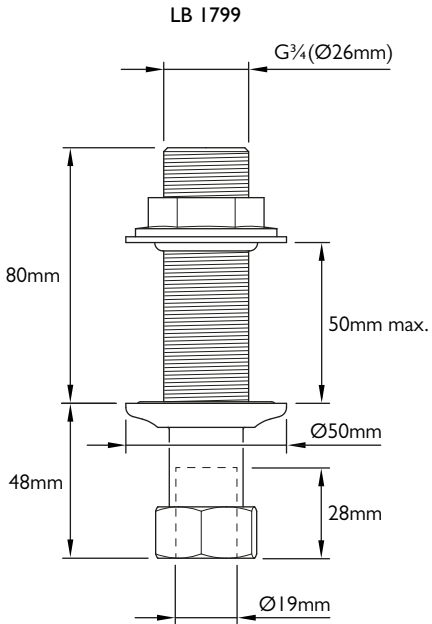
Flushing system

It is most important to flush out all pipework thoroughly before connecting the product.

Connections

The Ø19mm ceiling shower projection arm is to be installed using the compression nut and Ø19mm olive (supplied). Plated tubes have a smooth surface. For this reason, we recommend that the surface in contact with the olive be gently roughened using a suitable abrasive sheet or pad. You are aiming to lightly roughen the plated surface, not remove it. Be careful not to roughen areas that will be visible following assembly. The threaded tail of the bracket can be cut to length and connected to the water supply using a standard tap connector.

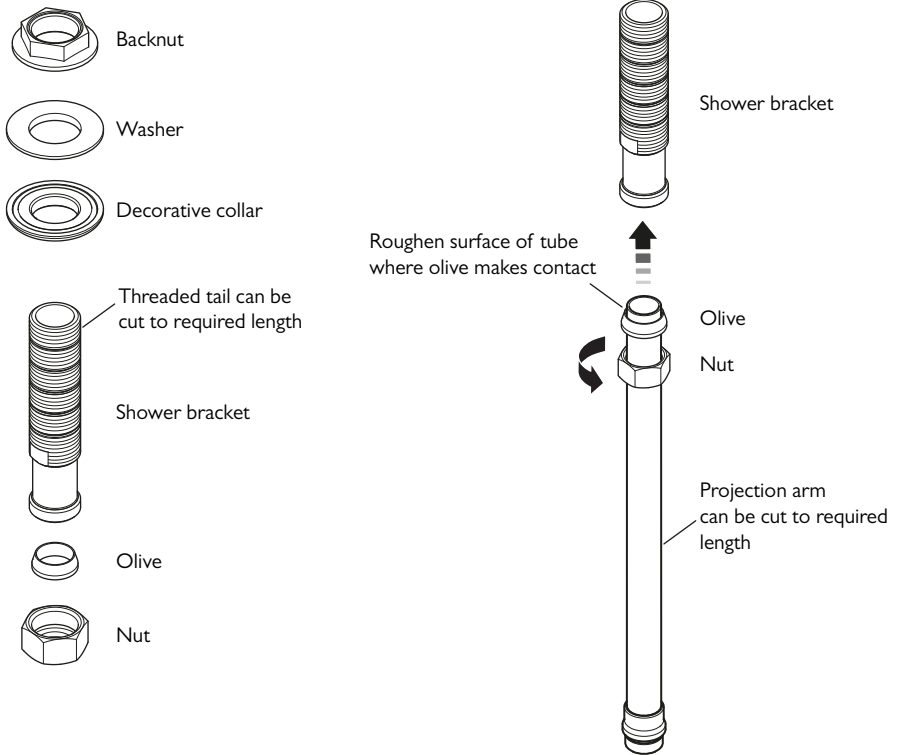
DIMENSIONS



Not to scale

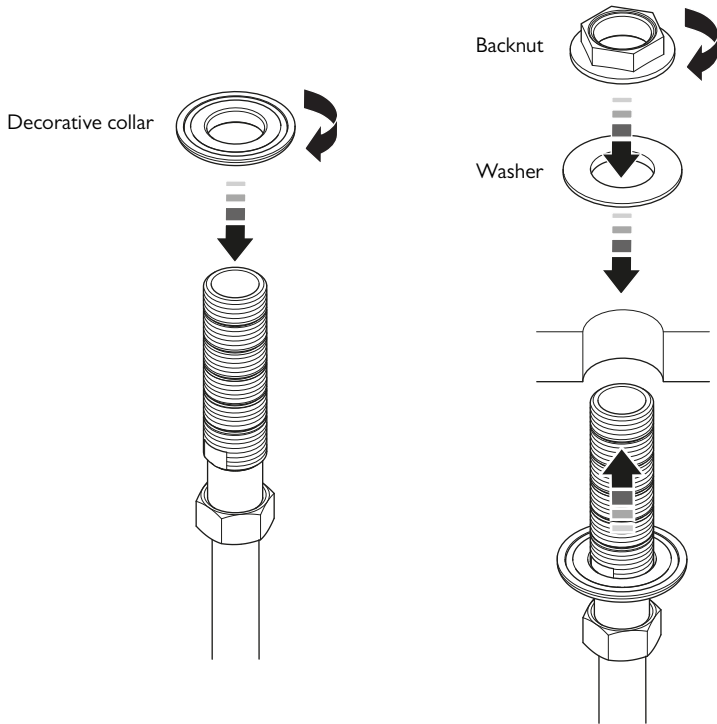
INSTALLATION

The shower bracket can be used for wall installations in conjunction with a horizontal projection arm.
Image below shown using ceiling projection arm



- 1 Cut a suitable hole in the mounting surface.
- 2 Unscrew and remove the nut and olive from the shower bracket.
- 3 Unscrew and remove the backnut and rubber washer from the shower bracket.
- 4 The threaded tail of the shower bracket can be cut to length. If cutting is required, unscrew and remove the decorative collar before doing so. This will avoid damage.
- 5 Cut the projection arm to the required length. Plated tubes have a smooth surface. For this reason, we recommend that the surface in contact with the olive be gently roughened using a suitable abrasive sheet or pad. You are aiming to lightly roughen the plated surface, not remove it. Be careful not to roughen areas that will be visible following assembly.
- 6 Place the nut and olive on to the projection arm.
- 7 Insert the projection arm in to the shower bracket and secure using the nut and olive.

INSTALLATION



- 8 Screw the decorative collar on to the shower bracket.
- 9 Locate the shower bracket and projection arm assembly into the opening in the mounting surface. Secure using the rubber washer and backnut.

- 10 Connect to the threaded tail to the water supply.
- 11 Gently screw the shower rose onto the projection arm.
- 12 Check all joints for leaks.



CONTRACT ENQUIRIES

+44 (0)1992 708 316

info@lefroybrooks.co.uk

CUSTOMER SERVICE, SPARES & TECHNICAL ENQUIRIES

+44 (0)1902 390 894

technical@lefroybrooks.co.uk

LEFROYBROOKS.CO.UK

Whilst every effort is made to ensure the accuracy of these, they are subject to change without notice as part of the company's product development process. The use of trademarks, product design and artwork is subject to licence or agreement with LBIP Ltd. The design registrations, trademark registrations and copyrights are protected by law and the use or reproduction outside the terms of an agreement is prohibited. The right to modify designs and dimensions is reserved. LBIP Ltd is a member of ACID (Anti Copying in Design). E&OE