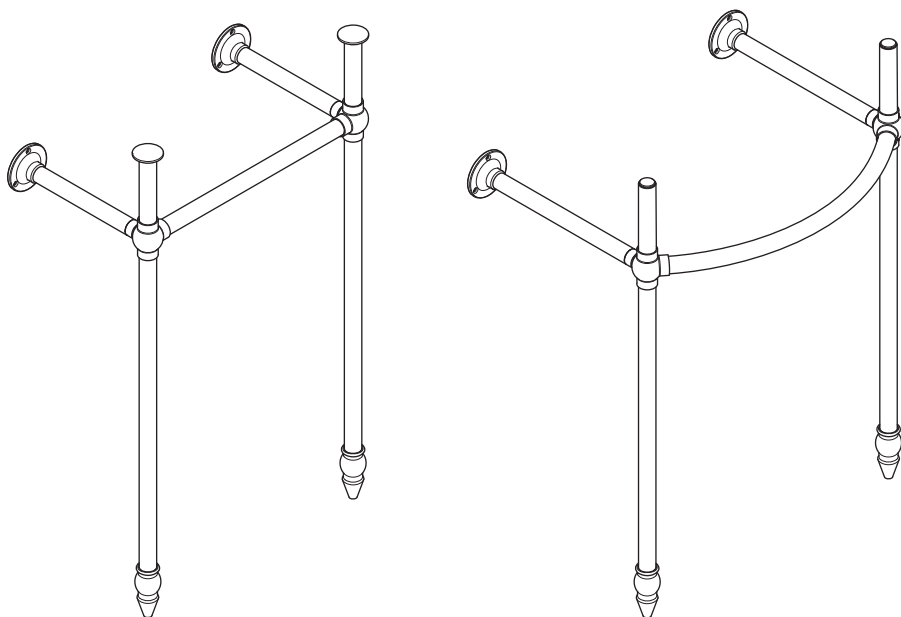


LB 3222 / LB 3224 / LB 3225 / LB 3226 / LB 3227
BASIN STAND
INSTALLATION GUIDE



LEFROY BROOKS

IMPORTANT INFORMATION

Professional installation

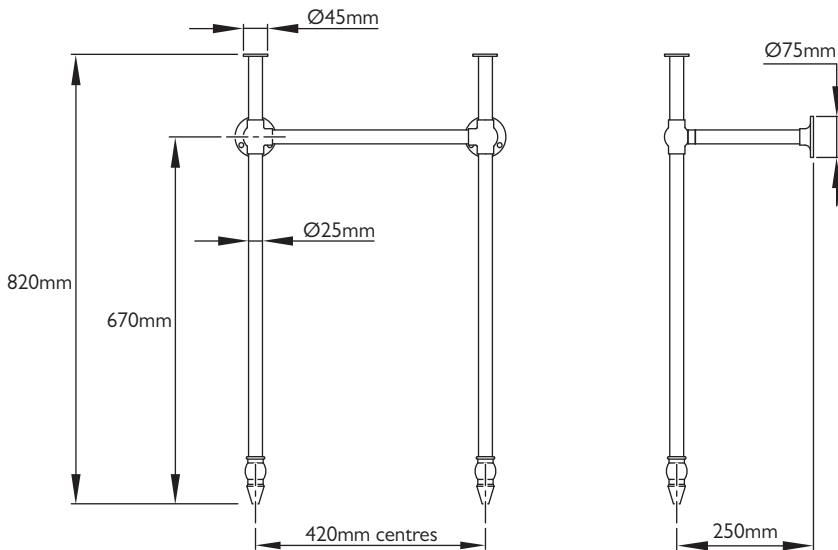
We recommend that our products are fitted by a fully qualified professional. A 'tester' should be used to ensure there are no hidden pipes or electric cables installed where the product is to be fitted.

Wall fixings

The screws and wall plugs provided are suitable for most brick walls. However, appropriate fixings should be used if the wall is plasterboard or soft building block.

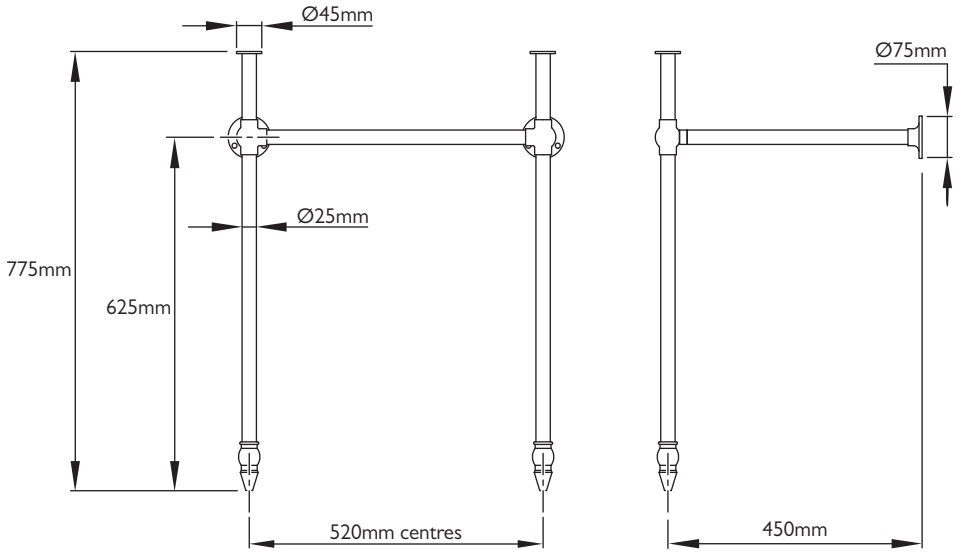
DIMENSIONS

LB 3222



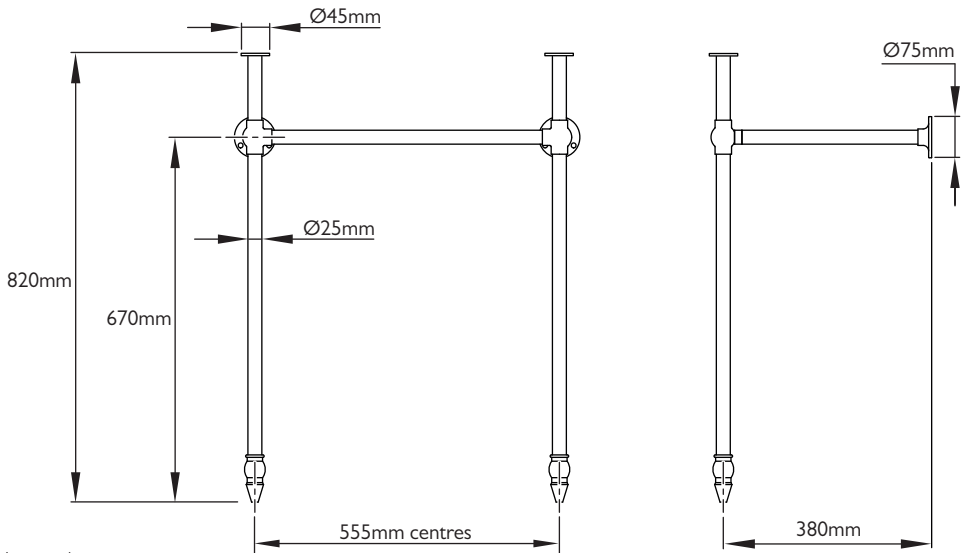
Not to scale

LB 3224



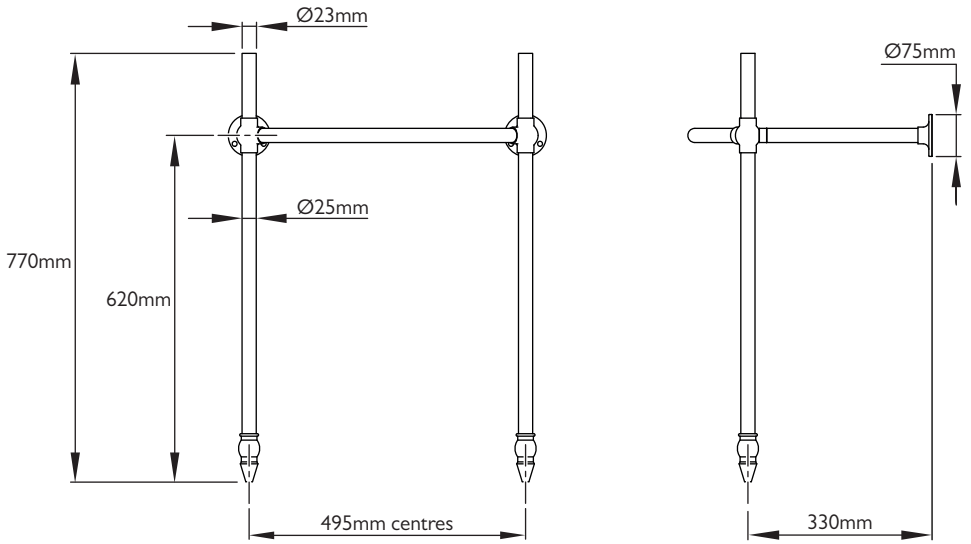
Not to scale

LB 3225



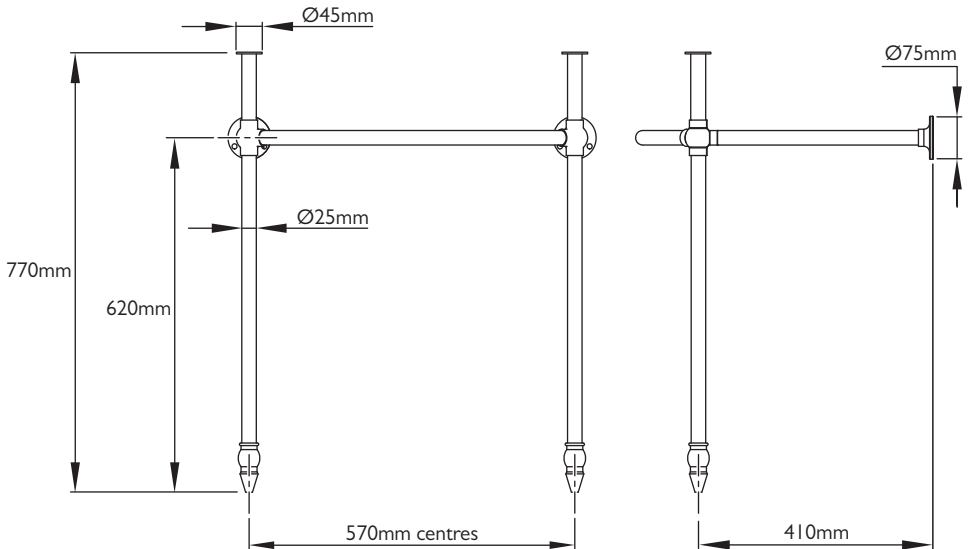
Not to scale

LB 3226



Not to scale

LB 3227



Not to scale

INSTALLATION

- 1 Position the basin stand against the wall.
- 2 Use a spirit level to check the legs and cross member are vertical/horizontal.
- 3 Mark the hole positions for the wall plates.
- 4 Remove the basin stand and drill the holes using a suitable drill for the supplied fixings.
- 5 Insert the wall plugs.
- 6 Secure the basin stand to wall.
- 7 There are adjustable supports at the top of the basin stand legs. These are designed to give 5mm of vertical adjustment. Place a spirit level across the adjustable supports and individually rotate until level.
- 8 Position the basin on the basin stand and secure to the wall before fitting brassware/ ancillaries.



CONTRACT ENQUIRIES

+44 (0)1992 708 316

info@lefroybrooks.co.uk

CUSTOMER SERVICE, SPARES & TECHNICAL ENQUIRIES

+44 (0)1902 390 894

technical@lefroybrooks.co.uk

LEFROYBROOKS.CO.UK

Whilst every effort is made to ensure the accuracy of these, they are subject to change without notice as part of the company's product development process. The use of trademarks, product design and artwork is subject to licence or agreement with LBIP Ltd. The design registrations, trademark registrations and copyrights are protected by law and the use or reproduction outside the terms of an agreement is prohibited. The right to modify designs and dimensions is reserved. LBIP Ltd is a member of ACID (Anti Copying in Design). E&OE