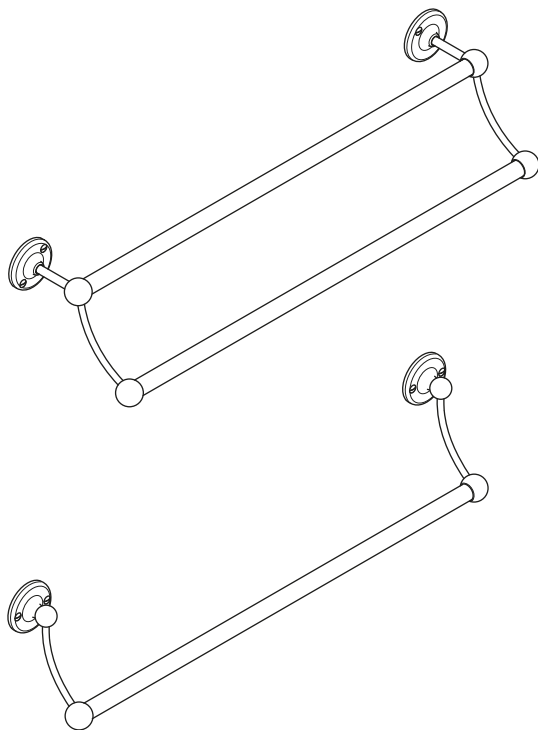


4935 (20") / 4947 (10") / 4948 (30")  
4949 (30") / 4954 (20")  
TOWEL RAIL  
INSTALLATION GUIDE

---



---

LEFROY BROOKS

# IMPORTANT INFORMATION

## Professional installation

We recommend that our products are fitted by a fully qualified professional. A tester should be used to ensure there are no hidden pipes or electrical cables where the product is to be mounted.

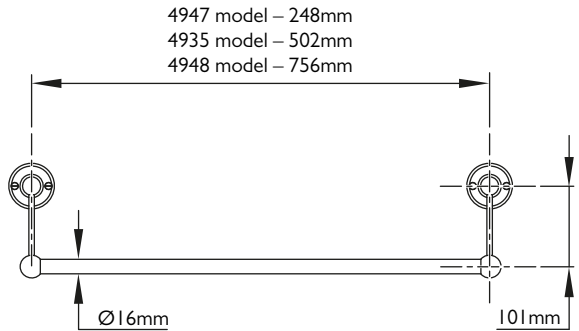
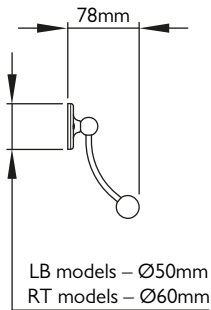
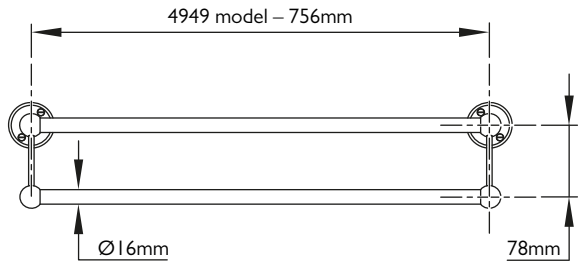
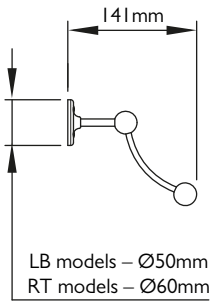
## Wall fixings

The screws and wall plugs provided are suitable for most brick walls. However, if the wall is constructed of plasterboard or soft building block the appropriate fixings should be used.

---

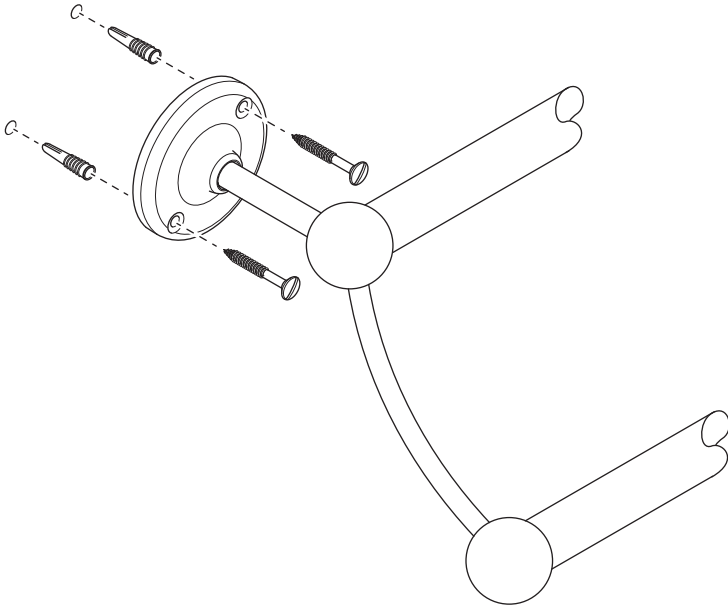
## DIMENSIONS

Shown with Classic (LB) towel rails



Not to scale

## INSTALLATION



- 1 The towel bar(s) can be cut to length. The towel bars are fixed to the side supports on one side only. Pull the side supports to remove. Cut the towel bar(s) to the required length.
- 2 We recommend two people to fit the towel rail, one to support the towel rail and the other to mark the hole positions on the mounting surface. Place the assembled towel rail on to the mounting surface.
- 3 Use a spirit level to ensure the towel rail is level. Mark the hole positions on the mounting surface.
- 4 Drill holes using a suitably sized drill bit for the wall plugs supplied. If alternate fixings are to be used then drill holes to suit these fixings.
- 5 Insert the wall plugs into the holes.
- 6 Secure the towel rail using screws.



CONTRACT ENQUIRIES

+44 (0)1992 708 316

[info@lefroybrooks.co.uk](mailto:info@lefroybrooks.co.uk)

CUSTOMER SERVICE, SPARES & TECHNICAL ENQUIRIES

+44 (0)1902 390 894

[technical@lefroybrooks.co.uk](mailto:technical@lefroybrooks.co.uk)

LEFROYBROOKS.CO.UK

---

Whilst every effort is made to ensure the accuracy of these, they are subject to change without notice as part of the company's product development process. The use of trademarks, product design and artwork is subject to licence or agreement with LBIP Ltd. The design registrations, trademark registrations and copyrights are protected by law and the use or reproduction outside the terms of an agreement is prohibited. The right to modify designs and dimensions is reserved. LBIP Ltd is a member of ACID (Anti Copying in Design). E&OE