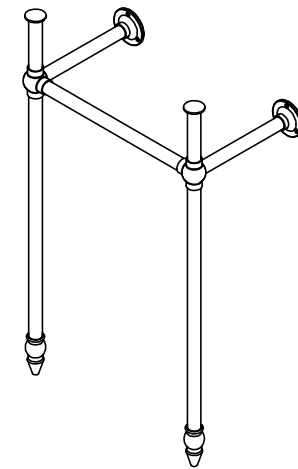
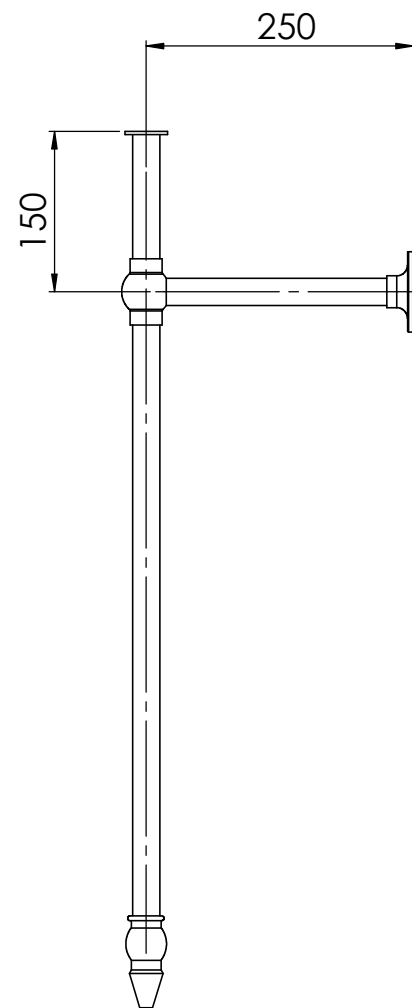
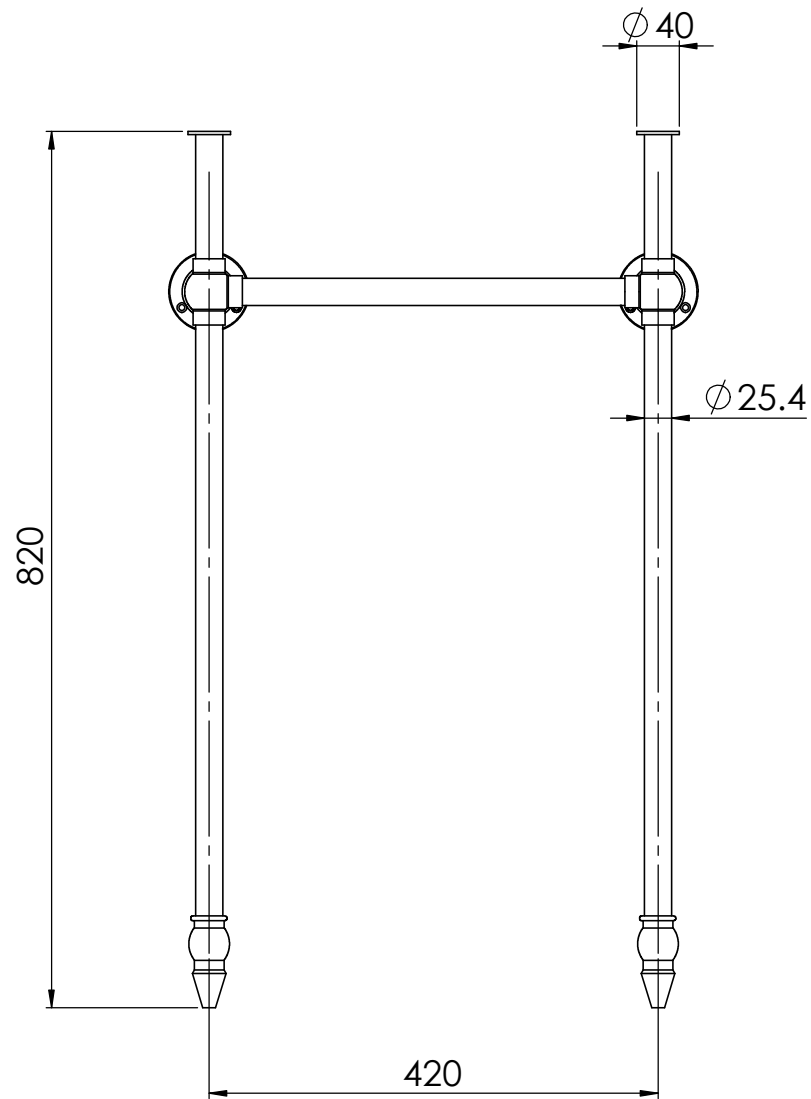


REVISION HISTORY

REV	DESCRIPTION	DATE	INITIALS



TITLE: <b>BASIN STAND</b>			
SCALE:	DATE: 09/07/2014	DRAWN BY: MDW	
MATERIAL:		FINISH:	
DWG NO.: LB3222		SHEET: A3	REVISION:

DO NOT SCALE DRAWING

DEBUR AND BREAK SHARP EDGES

UNLESS OTHERWISE SPECIFIED: DIMENSIONS ARE IN MILLIMETERS. TOLERANCES: LINEAR:  $\pm 0.2$

