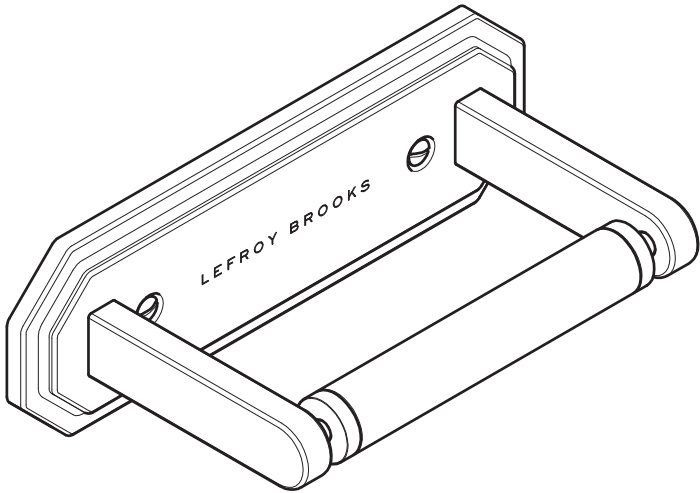


MK 4650
MACKINTOSH PAPER HOLDER
INSTALLATION GUIDE



LEFROY BROOKS

IMPORTANT INFORMATION

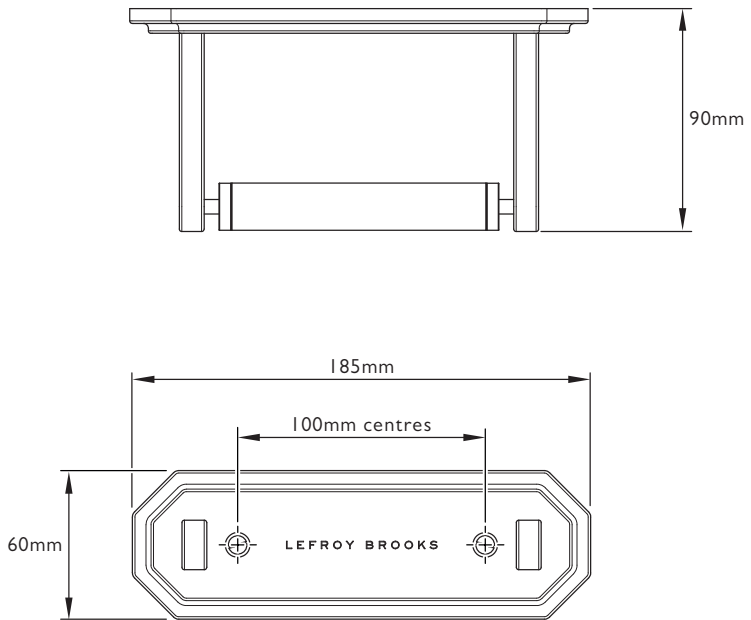
Professional installation

We recommend that our products are fitted by a fully qualified professional. A tester should be used to ensure there are no hidden pipes or electrical cables where the product is to be mounted.

Wall fixings

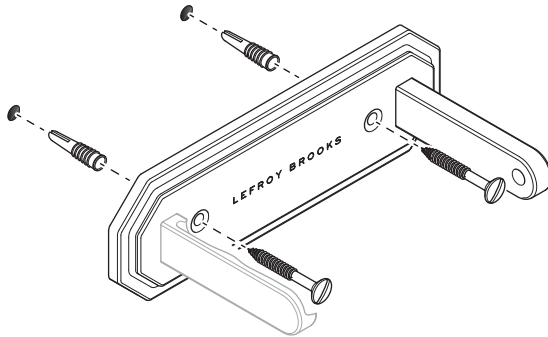
The screws and wall plugs provided are suitable for most brick walls. However, if the wall is constructed of plasterboard or soft building block the appropriate fixings should be used.

DIMENSIONS



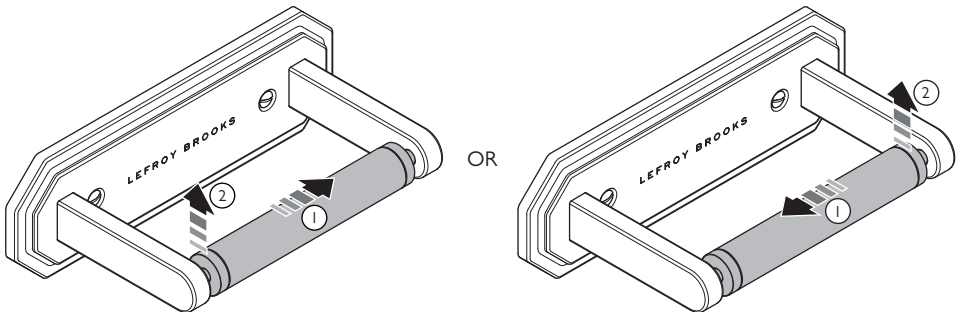
Shown with paper holder bar removed.

INSTALLATION



- 1 Remove the paper holder bar.
- 2 Place the paper holder on to the mounting surface.
- 3 Mark the hole positions on the mounting surface. Use a spirit level to ensure the holes are level.
- 4 Drill two holes using a suitably sized drill bit for the wall plugs supplied. If alternate fixings are to be used then drill holes to suit these fixings.
- 5 Insert the wall plugs into the holes then secure the paper holder using screws.

REMOVAL OF THE PAPER HOLDER BAR



- 1 The paper holder bar is spring loaded at one end. Gently move the paper holder bar to one side.
- 2 Lift the opposite end clear of the support arms
- 3 Fit in reverse. Fit spring loaded end first.



CONTRACT ENQUIRIES
+44 (0)1992 708 316

info@lefroybrooks.co.uk

CUSTOMER SERVICE, SPARES & TECHNICAL ENQUIRIES

+44 (0)1902 390 894

technical@lefroybrooks.co.uk

LEFROYBROOKS.CO.UK

Whilst every effort is made to ensure the accuracy of these, they are subject to change without notice as part of the company's product development process. The use of trademarks, product design and artwork is subject to licence or agreement with LBIP Ltd. The design registrations, trademark registrations and copyrights are protected by law and the use or reproduction outside the terms of an agreement is prohibited. The right to modify designs and dimensions is reserved. LBIP Ltd is a member of ACID (Anti Copying in Design). E&OE