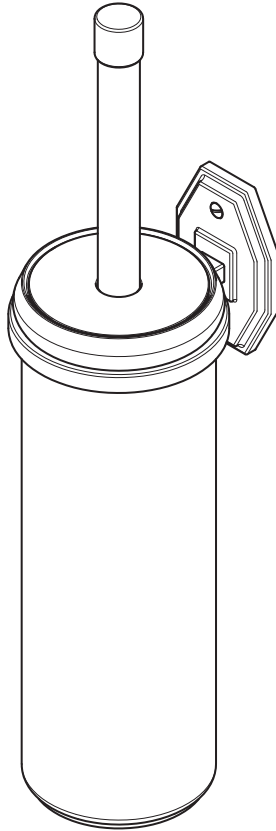


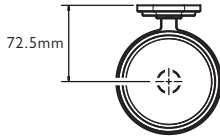
MK 4663

MACKINTOSH WALL MOUNTED BRUSH AND POT
INSTALLATION GUIDE

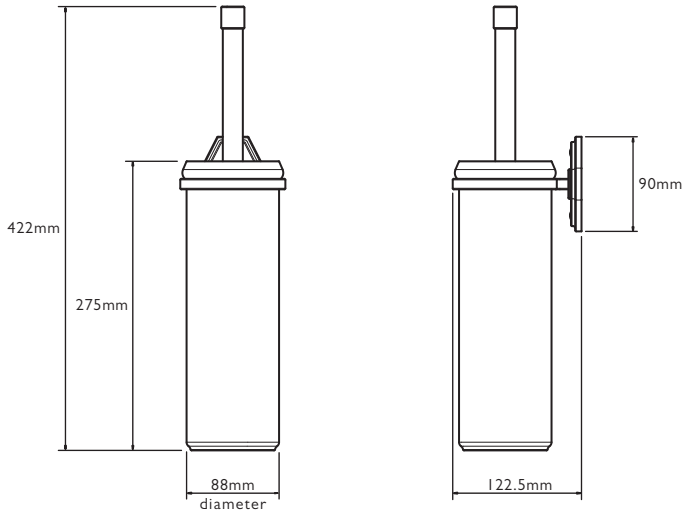


LEFROY BROOKS

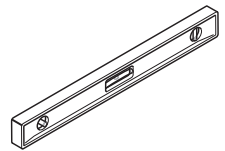
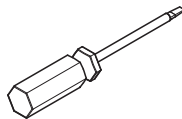
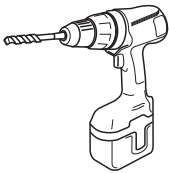
DIMENSIONS



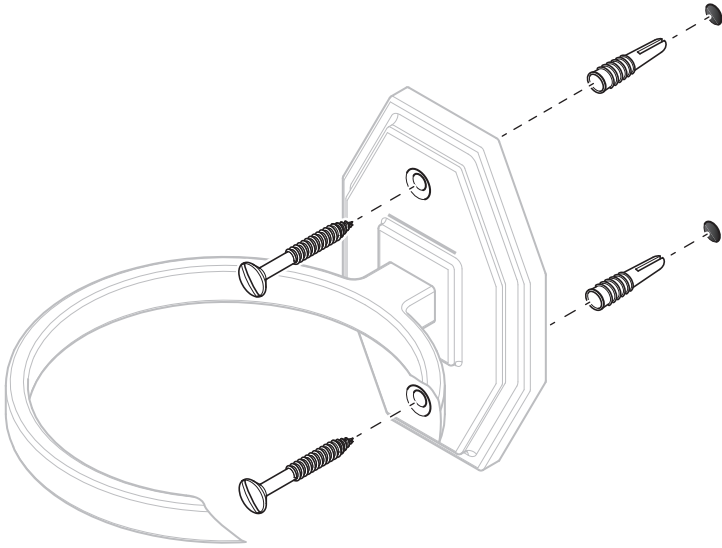
SHOWN WITHOUT POT AND BRUSH



TOOLS REQUIRED



INSTALLATION



- 1 Remove the brush and pot from the holder.
- 2 Mark the hole positions on the mounting surface. Use a spirit level to ensure the holes are vertically aligned.
- 3 Drill holes using a $\text{Ø}6\text{mm}$ drill bit.
- 4 Insert the wall plugs into the holes then secure the holder using the screws supplied.
- 5 Place the pot and brush into the holder.



CUSTOMER SUPPORT

+44 (0)1992 708 316

LEFROYBROOKS.CO.UK

Whilst every effort is made to ensure the accuracy of these, they are subject to change without notice as part of the company's product development process. The use of trademarks, product design and artwork is subject to licence or agreement with LBIP Ltd. The design registrations, trademark registrations and copyrights are protected by law and the use or reproduction outside the terms of an agreement is prohibited. The right to modify designs and dimensions is reserved. LBIP Ltd is a member of ACID (Anti Copying in Design).