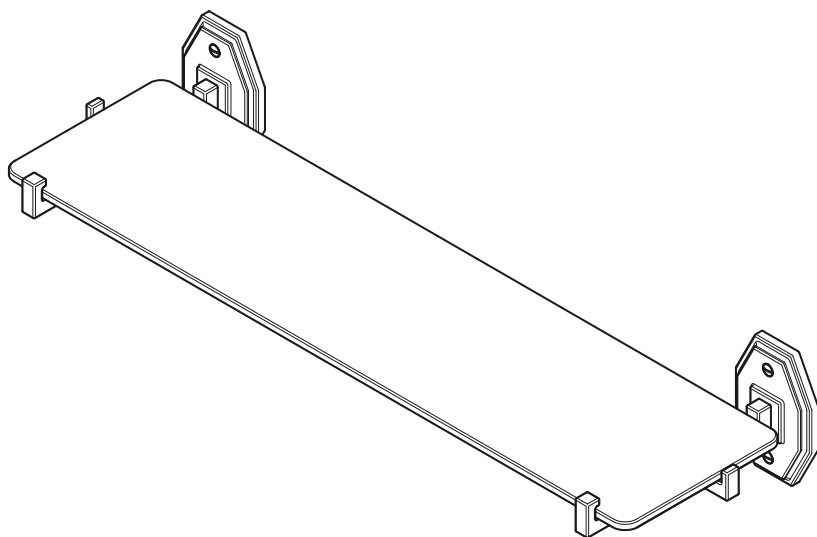
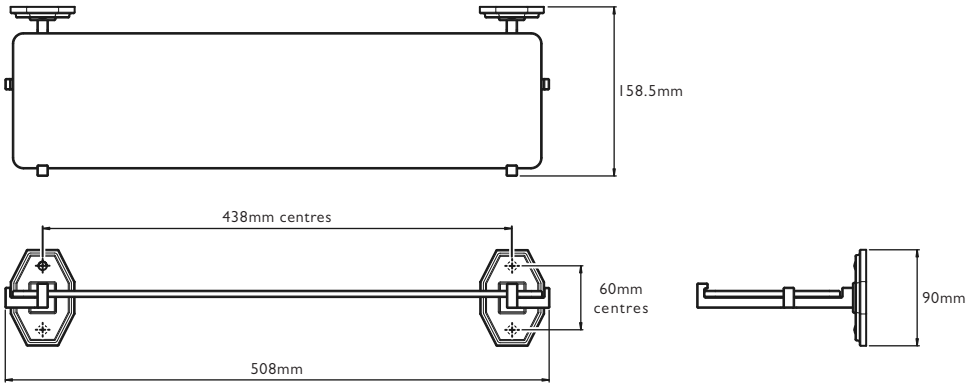


MK 4666
MACKINTOSH BLACK GLASS SHELF
INSTALLATION GUIDE

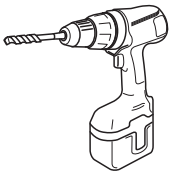


LEFROY BROOKS

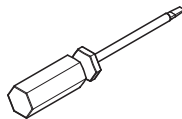
DIMENSIONS



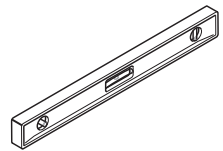
TOOLS REQUIRED



Powered drill with $\varnothing 6\text{mm}$ drill bit



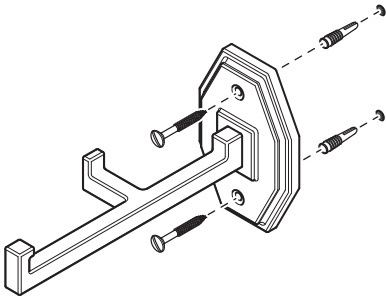
Flat blade screwdriver



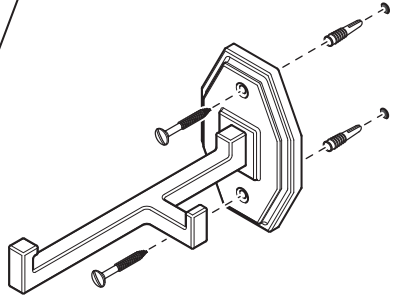
Spirit level

INSTALLATION

LEFT SHELF SUPPORT



RIGHT SHELF SUPPORT



- 1 Mark the hole positions on the mounting surface. Use a spirit level to ensure the holes are vertically aligned and level.
- 2 Drill holes using a $\text{Ø}6\text{mm}$ drill bit.
- 3 Insert the wall plugs into the holes.
- 4 Ensure that the left and right hand shelf supports are located correctly as shown above.
- 5 Secure the shelf supports using the screws supplied.
- 6 Carefully locate the black glass shelf onto the shelf supports.



CUSTOMER SUPPORT

+44 (0)1992 708 316

LEFROYBROOKS.CO.UK

Whilst every effort is made to ensure the accuracy of these, they are subject to change without notice as part of the company's product development process. The use of trademarks, product design and artwork is subject to licence or agreement with LBIP Ltd. The design registrations, trademark registrations and copyrights are protected by law and the use or reproduction outside the terms of an agreement is prohibited. The right to modify designs and dimensions is reserved. LBIP Ltd is a member of ACID (Anti Copying in Design).