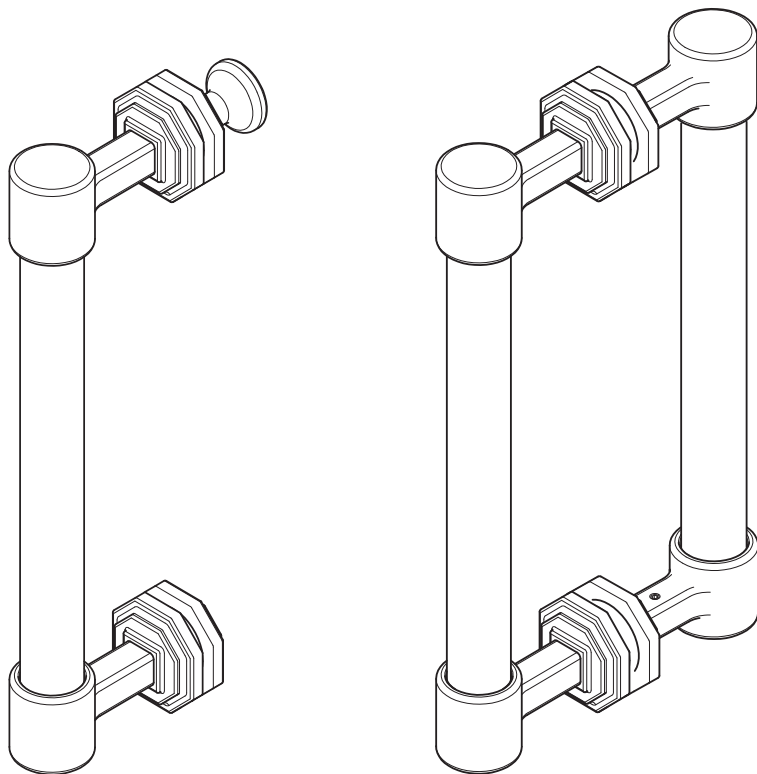


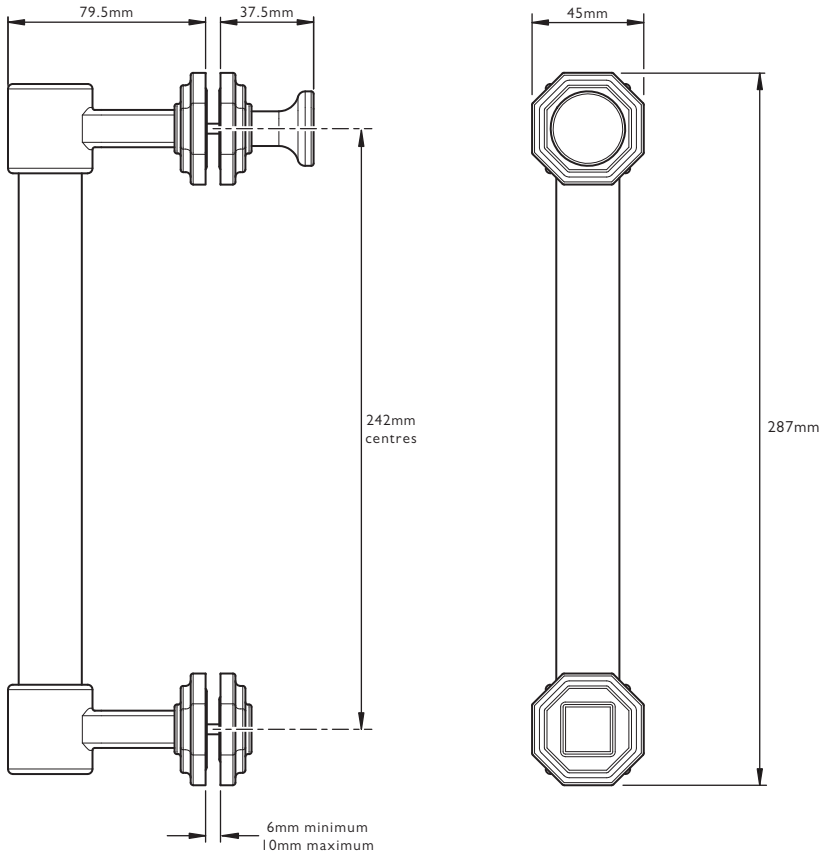
MK 4680 (SINGLE) / MK 468I (DOUBLE)  
MACKINTOSH SHOWER DOOR HANDLES  
INSTALLATION GUIDE

---



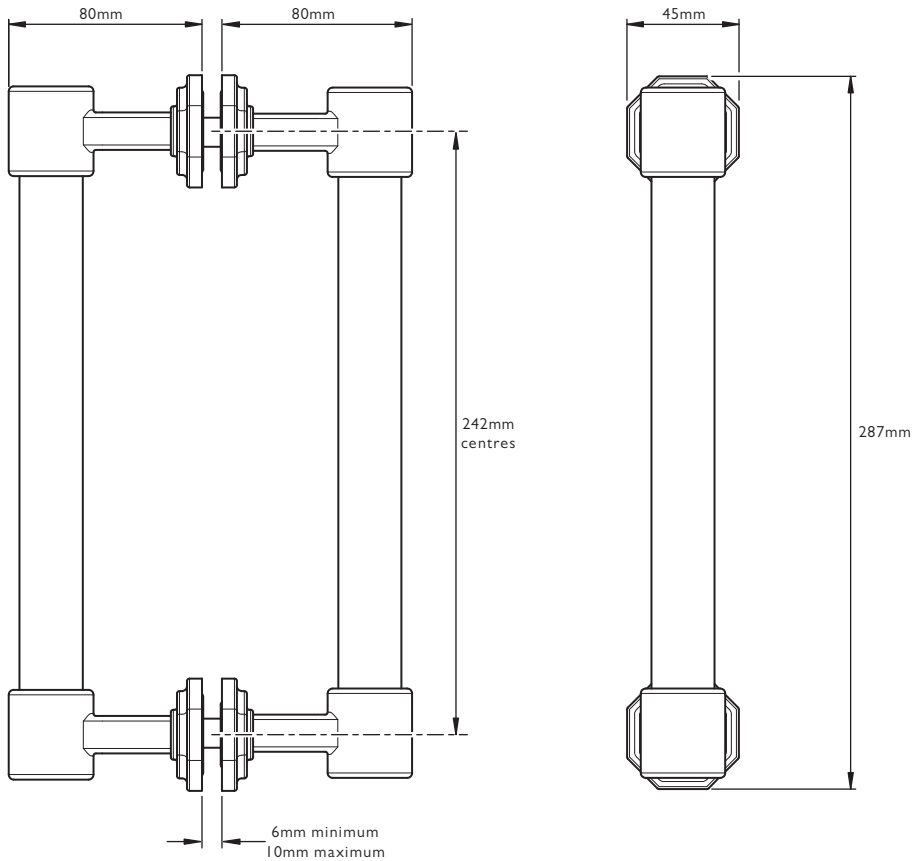
LEFROY BROOKS

# DIMENSIONS (SINGLE)

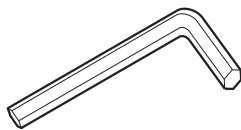


Holes in shower door to be  $\varnothing 14\text{mm}$  minimum,  $\varnothing 25\text{mm}$  maximum

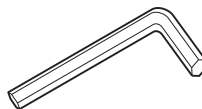
## DIMENSIONS (DOUBLE)



## TOOLS REQUIRED

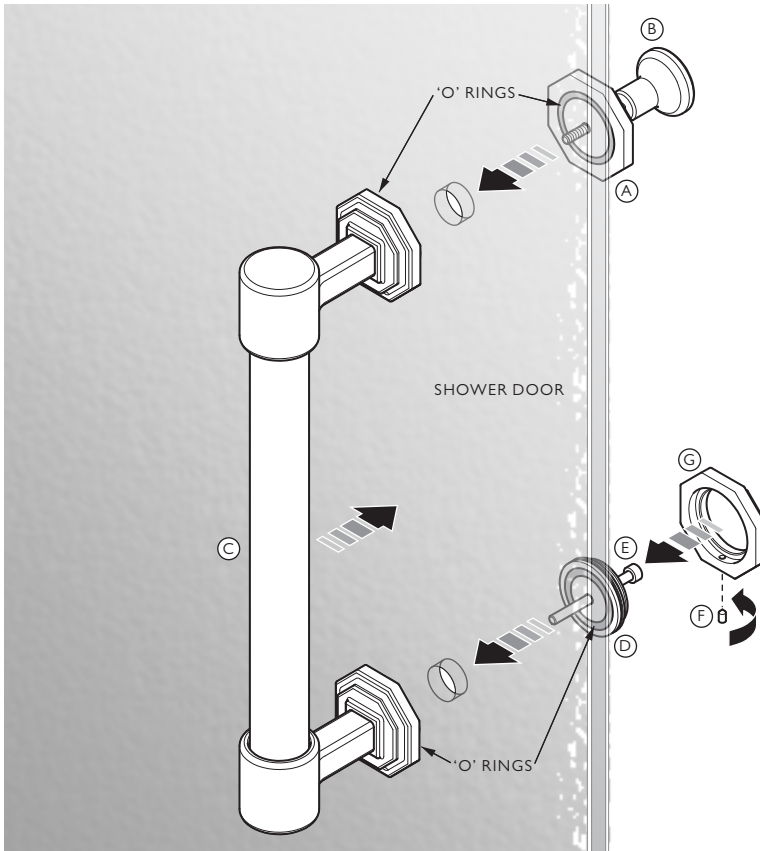


3mm Hexagonal key  
(Included)



1.5mm Hexagonal key  
(Included)

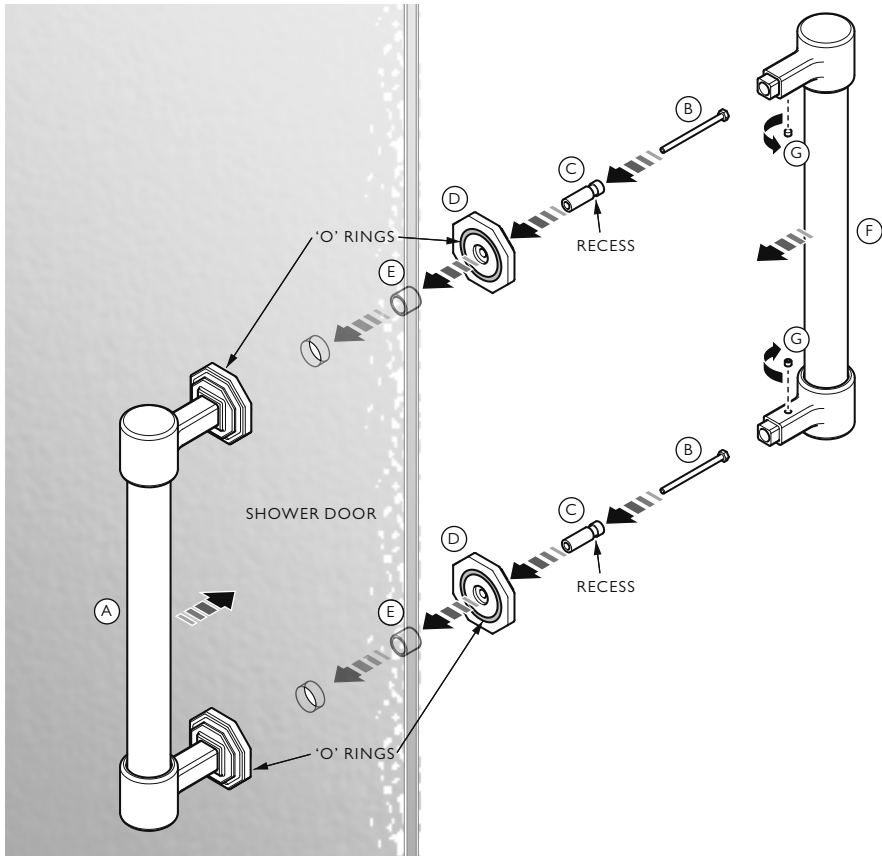
## INSTALLATION (SINGLE)



Note: Before fitting the handle ensure that rubber 'o' rings are fitted to the components in contact with the shower door. These are factory fitted, though may have worked loose during transit. Fitting the handle without 'o' rings in place may damage the shower door.

- 1 Place the octagonal rear support (a) onto the thread of the round knob (b). The rubber 'o' ring should face away from the knob. Pass the thread of the knob through the upper hole in the rear of the shower door.
- 2 Locate the handle (c) in place and screw the threaded knob into the handle, but finger tight only.
- 3 Place the round rear support (d) onto the thread of the securing screw (e). The rubber 'o' ring should face away from the head of the screw.
- 4 Pass the thread of the screw through the lower hole in the shower door and into the handle. Tighten the screw using the 3mm hexagonal key.
- 5 Rotate the upper knob clockwise to tighten.
- 6 With the set screw (f) at the bottom, locate the octagonal decorative cover (g) onto the lower rear support (d). Secure in place using the 1.5mm hexagonal key.

## INSTALLATION (DOUBLE)



Note: Before fitting the handles ensure that rubber 'o' rings are fitted to the components in contact with the shower door. These are factory fitted, though may have worked loose during transit. Fitting the handle without 'o' rings in place may damage the shower door.

- 1 To secure front handle (a), feed screws (b) through support pins (c), octagonal supports (d) and thread covers (e).

The thread covers (e) are designed to fit shower doors that are between 6mm and 10mm thick. If the shower door is less than 6mm thick the thread covers may be reduced.

Ensure the recesses in support pins (c) are next to the screw heads and the 'o' rings in the octagonal supports (d) face away from the screw heads.

Locate front handle (a) and secure using the 3mm hexagonal key.

- 2 Locate rear handle (f) onto support pins (c). Secure in place by tightening the set screws (g) using the 1.5mm hexagonal key.







CUSTOMER SUPPORT

+44 (0)1992 708 316

LEFROYBROOKS.CO.UK

---

Whilst every effort is made to ensure the accuracy of these, they are subject to change without notice as part of the company's product development process. The use of trademarks, product design and artwork is subject to licence or agreement with LBIP Ltd. The design registrations, trademark registrations and copyrights are protected by law and the use or reproduction outside the terms of an agreement is prohibited. The right to modify designs and dimensions is reserved. LBIP Ltd is a member of ACID (Anti Copying in Design).