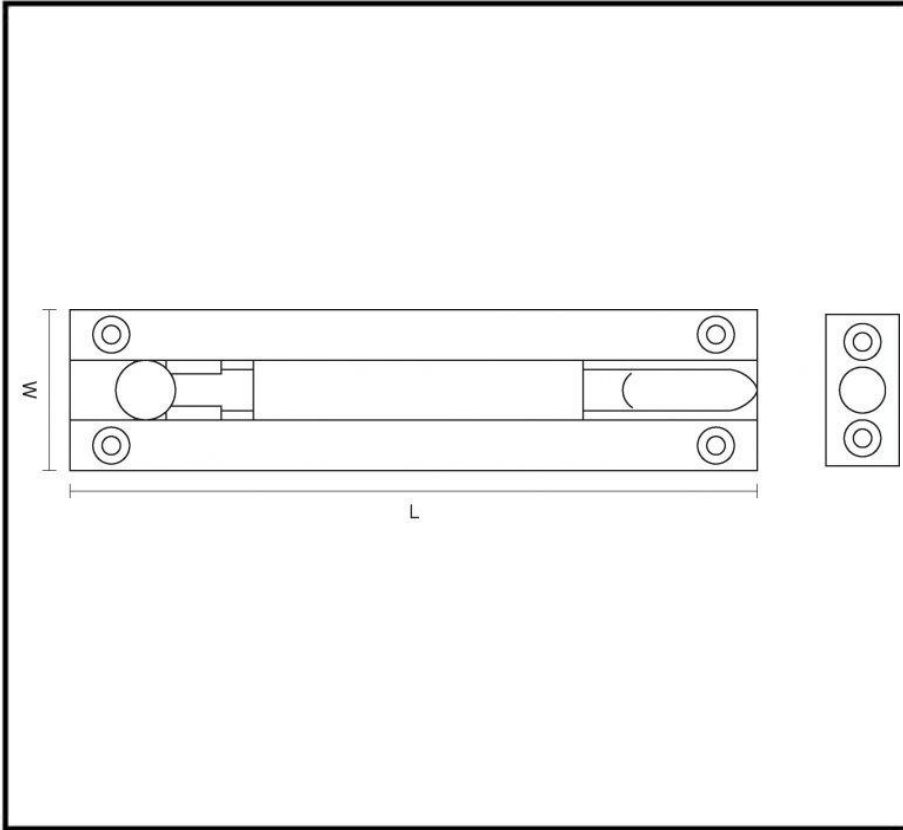


CROFT

Long Lasting Tradition

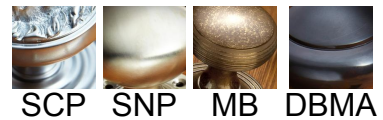
SPECIFICATION SHEET - PRODUCT CODE **1801N**

PRODUCT



Necked Barrel Bolt 1801N

Finishes:



Dimensions: Other sizes available are below:

Sizes:	L	W
3" x 1"	76	25
4" x 1"	100	25
4" x 1.1/4"	100	32
6" x 1"	152	25
6" x 1.1/4"	152	32
8" x 1.1/4"	203	32
12" x 1.1/4"	305	32
10" x 1.1/4"	254	32
18" x 1.1/4"	457	32
24" x 1.1/4"	610	32

Please note that illustration sizes are approximations