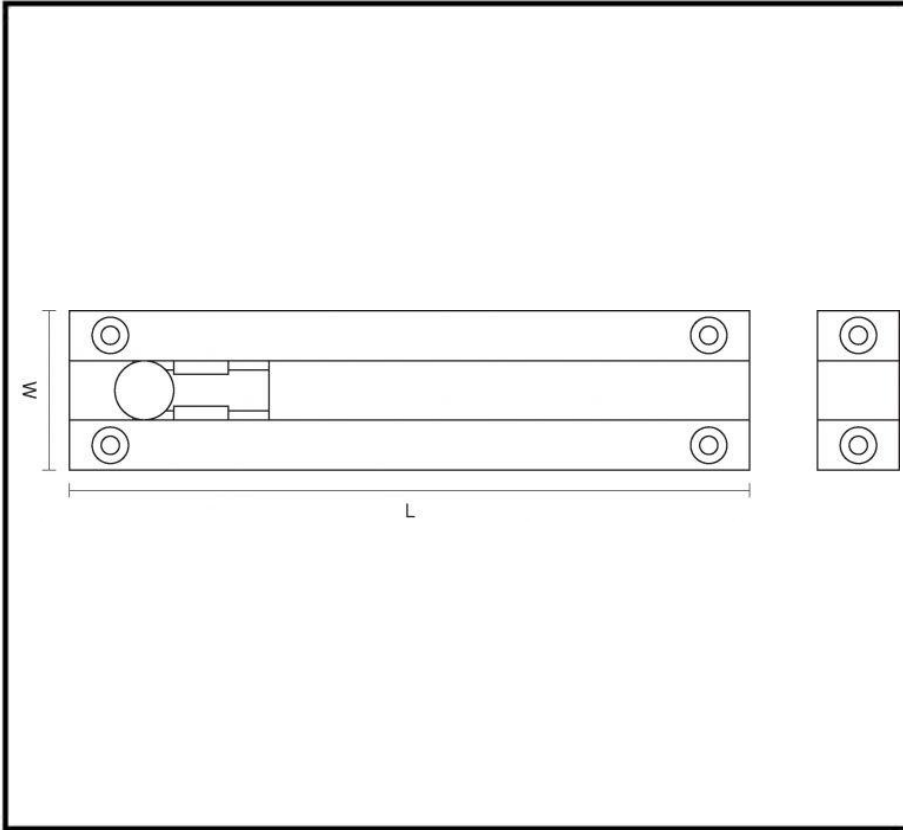


# CROFT

Long Lasting Tradition

SPECIFICATION SHEET - PRODUCT CODE **1802**

## PRODUCT



**Square Section Barrel Bolt  
1802**

**Dimensions:** Other sizes available are below:

Sizes:	L	W
75mm x 28mm	75	28
100mm x 28mm	100	28
150mm x 28mm	150	28

Please note that illustration sizes are approximations

### Finishes:

