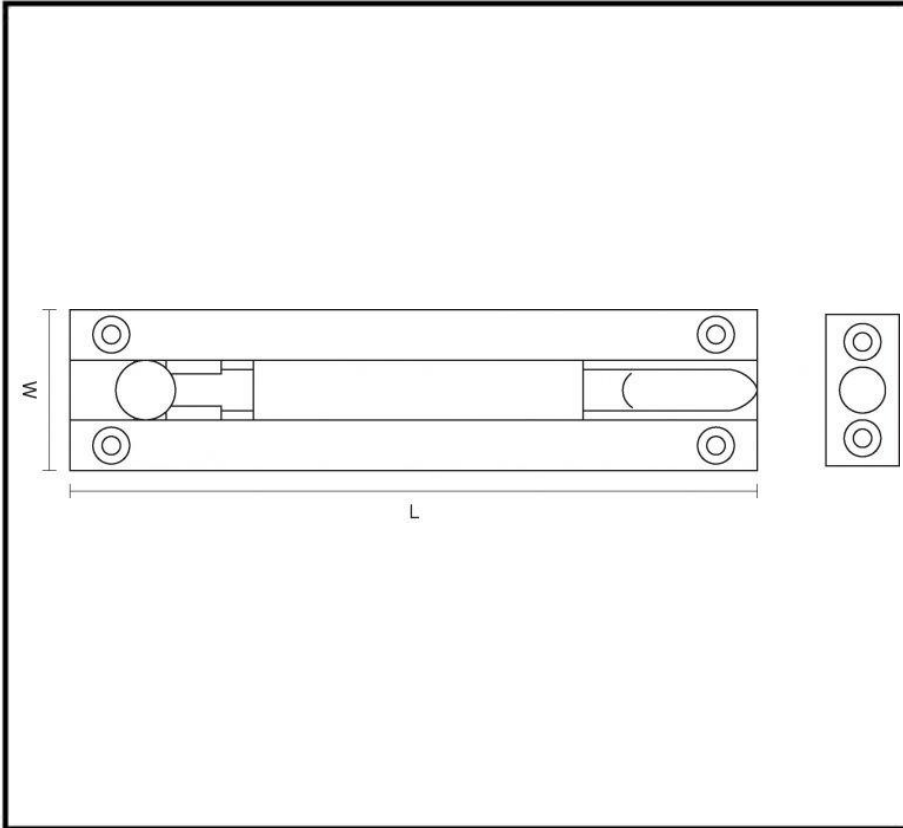


CROFT

Long Lasting Tradition

SPECIFICATION SHEET - PRODUCT CODE **1802N**

PRODUCT



**Necked Square Section
Barrel Bolt 1802N**

Dimensions: Other sizes available are below:

| Sizes: | L | W |
|--------------|-----|----|
| 100mm x 28mm | 100 | 28 |
| 150mm x 28mm | 150 | 28 |

Please note that illustration sizes are approximations

Finishes:

