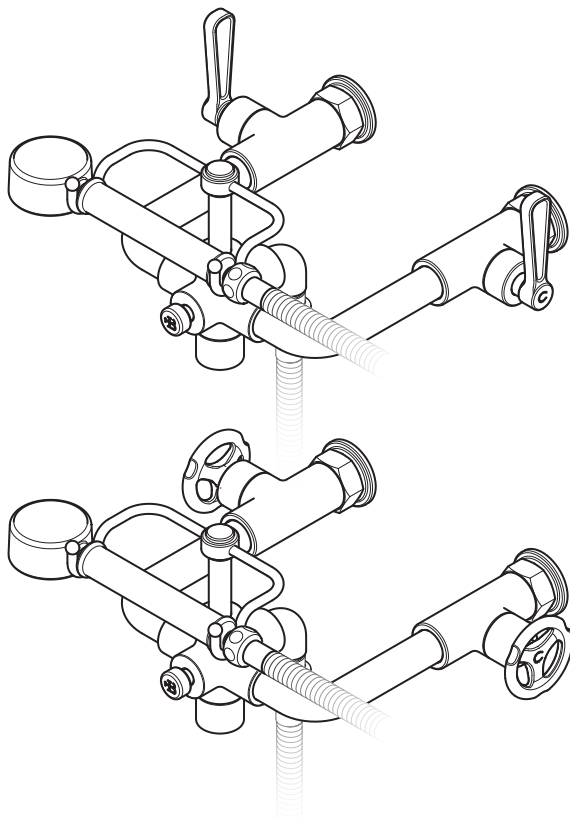
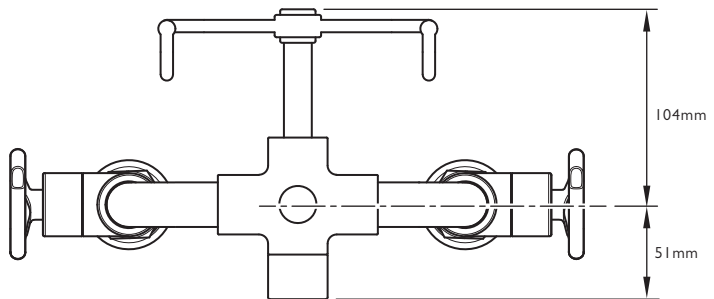
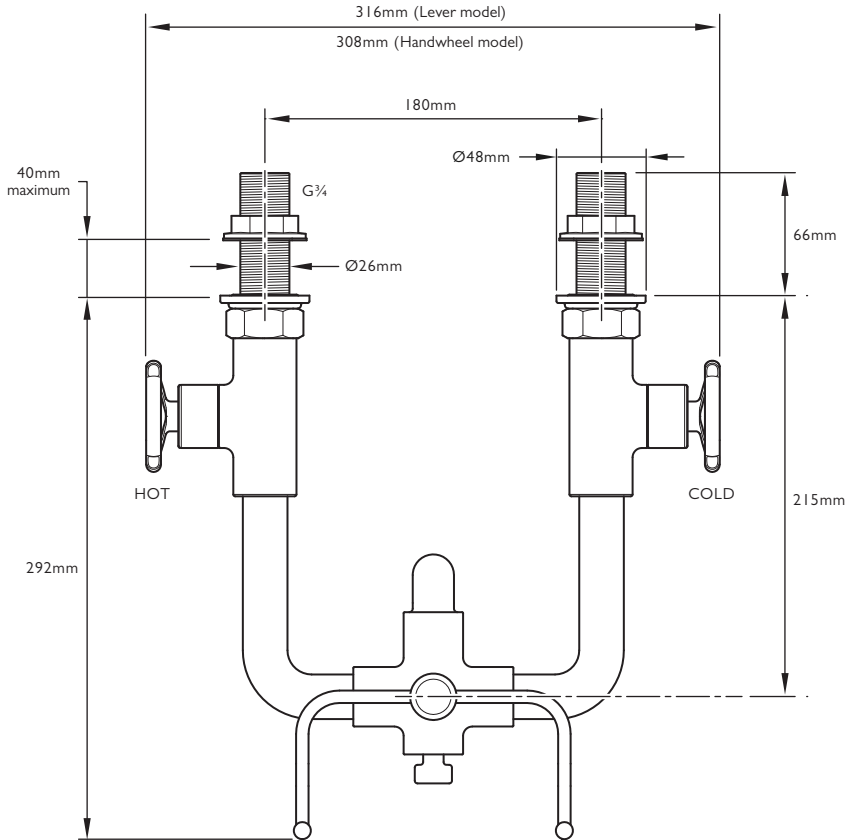


TH 1161 (HANDWHEELS) / TL 1161 (LEVERS)
WALL MOUNTED BATH SHOWER MIXER
INSTALLATION GUIDE



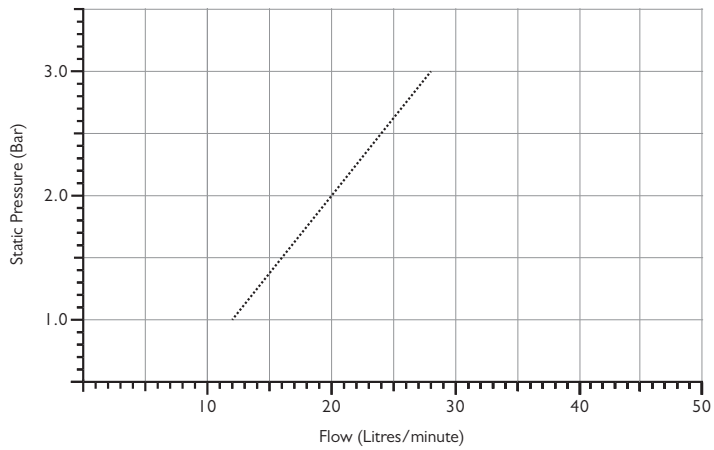
LEFROY BROOKS

DIMENSIONS

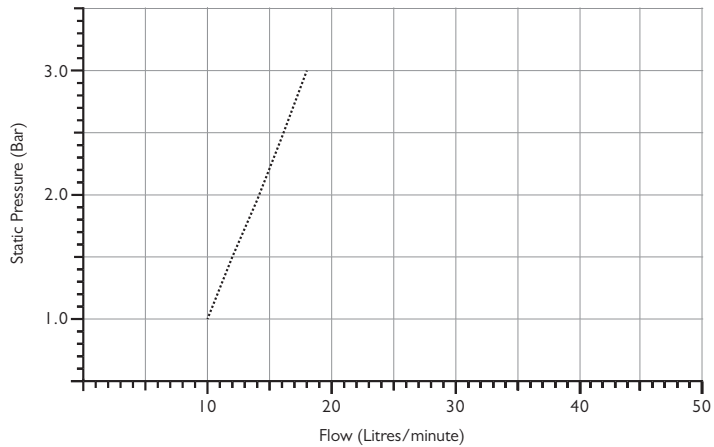


TYPICAL FLOW RATES

Spout only



Hand Shower only



Note: Balance pressures shown are applied directly to the hot and cold inlets; flow rates indicated are free flowing and may vary subject to restrictions created by installation, pipework, layout or application.

IMPORTANT INFORMATION

Professional installation

We recommend that our products are fitted by a fully qualified professional plumber. They should be installed correctly and in accordance with all local water regulations and the system protected by non-return valves (not supplied). All products should be accessible for routine servicing.

Suits all systems

This Lefroy Brooks product is potentially suitable for every possible application, type of boiler and water supply pressure. However, if your supply pressure is below 1 bar it is advisable to fit a water pump. For systems with combination boilers, it is not advisable to fit pumps (refer to boiler manufacturer).

Supply connections

The HOT water supply should be connected to the LEFT inlet and COLD to the RIGHT inlet as viewed from the front.

Supply temperature safety notice

To comply with local building regulations, current legislation, relevant standards and codes of practice a thermostatic mixing valve (TMV) should be fitted (not supplied) to the hot supply. This will restrict the temperature to a safe working maximum temperature. Maximum allowed temperatures vary subject to type of installation or specification of building.

Balancing flow

If there is a significant difference in water pressures between hot & cold supplies, we recommend an in-line flow suppressor/regulator (not supplied) be fitted. This should be fitted to whichever has the greater flow rate, in an accessible position close to the valve.

Water quality

In hard water areas, a suitable water treatment system should be provided to prevent limescale deposits (calcium deposits) which may effect the long term performance of the ceramic cartridges. Exterior surfaces should be gently wiped with a dry soft cloth after use to minimise water stains and limescale deposits.

Flushing system

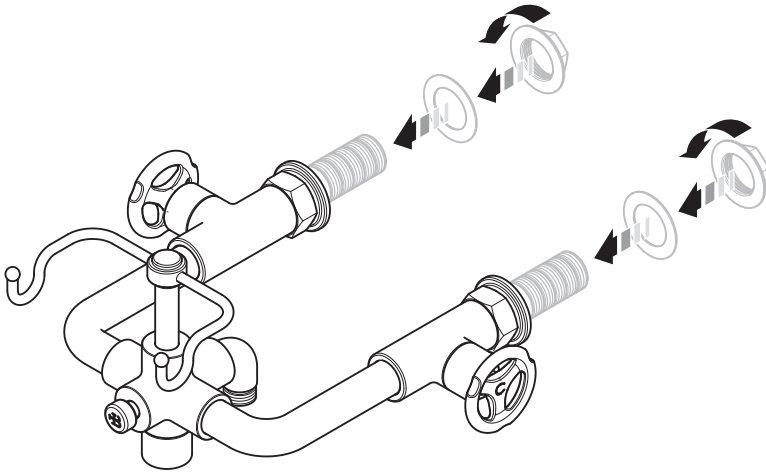
It is most important to flush out all pipework thoroughly before connecting the product. This is the single most common cause of ceramic cartridge failure.

Servicing

All serviceable parts are available to maintain your Lefroy Brooks product.

INSTALLATION – WALLS WITH REAR ACCESS

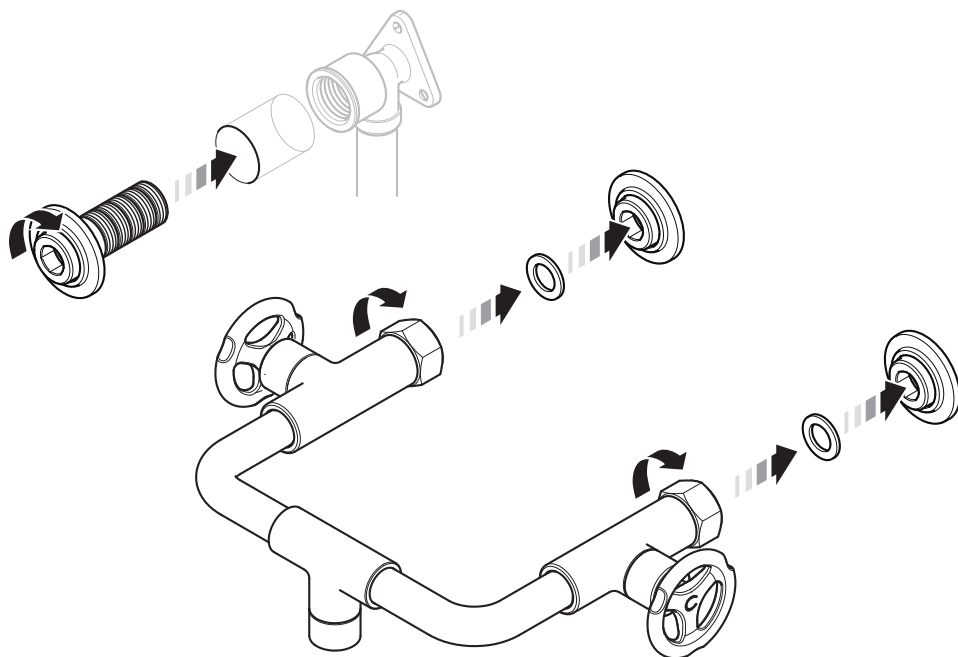
Shown with handwheels. The same procedure applies to lever models



- 1 For walls with rear access, drill $\text{Ø}28\text{--}30\text{mm}$ holes in the mounting surface.
- 2 Remove the backnuts and washers from the threaded tails. The threaded tails may be too long. If so, unscrew and remove the wall plates and reduce the threaded tails to the required length. Screw the wall plates back onto the threaded tails.
- 3 Screw the threaded tail and wall plate assemblies into the body of the shower mixer using a 25mm A/F spanner.
- 4 Place the threaded tails of the shower mixer through the holes in the mounting surface.
- 5 Locate the washers onto the threaded tails.
- 6 Screw the backnuts onto the threaded tails and tighten to secure the bridge mixer.
- 7 After flushing the pipework connect the hot and cold water supplies.
- 8 Pressure test the installation to ensure that all joints are tight and do not leak, especially when pipework will be concealed.

INSTALLATION – WALLS WITHOUT REAR ACCESS

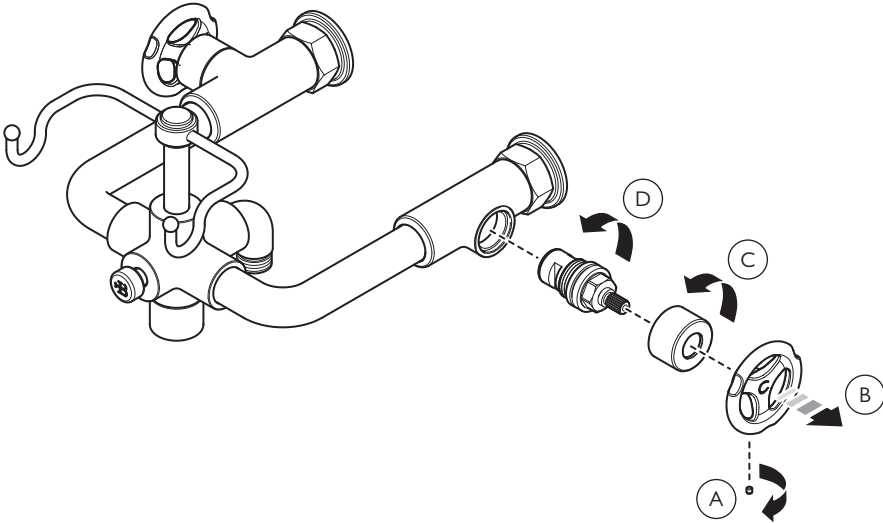
Shown with handwheels. The same procedure applies to lever models



- 1 For walls without rear access the shower mixer requires two female $\frac{3}{4}$ " BSP wall plate elbows to be recessed in place.
- 2 Remove the backnuts and washers from the threaded tails. The threaded tails may be too long. If so, unscrew and remove the wall plates and reduce the threaded tails to the required length. Screw the wall plates back onto the threaded tails.
- 3 Apply suitable sealant or sealing tape to the threaded tail. Screw the threaded tail and wall plate assemblies into the female wall plates using a 14mm A/F hexagonal key.
- 4 Locate the washers into the nuts of the shower mixer.
- 5 After flushing the pipework locate the shower mixer onto the threaded tails and secure in place using a 36mm spanner. To protect the decorative finish of the nuts we recommend the jaws of the spanner be wrapped with suitable tape.
- 6 Pressure test the installation to ensure that all joints are tight and do not leak.

SERVICING – CARTRIDGE REPLACEMENT

Shown with handwheels. The same procedure applies to lever models

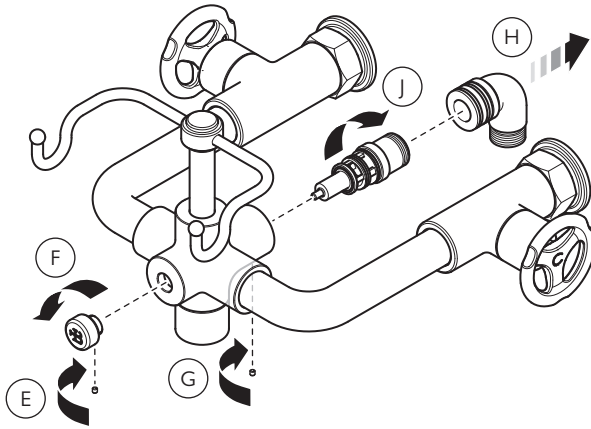


Before continuing please ensure that the water supplies have been isolated and drained where necessary.

- 1 To avoid unnecessary damage unscrew the hose from the rear of the spout in a counter clockwise direction. Remove the hand shower from the cradle.
- 2 To remove the ceramic cartridge(s), unscrew the set screw(s) in the underside of the handwheel(s)/lever(s) (A) using a 2mm hexagonal key.
- 3 Pull the handwheel(s)/lever(s) to remove (B).
- 4 Unscrew and remove the shroud(s) in a counter clockwise direction (C). We recommend this is done by hand as tools may damage the decorative surface. To aid grip we recommend wearing rubber gloves such as those used for washing up.
- 5 Unscrew and remove the ceramic cartridge(s) using a 17mm spanner (D).
- 6 Assemble in the reverse order.

SERVICING – DIVERTER REPLACEMENT

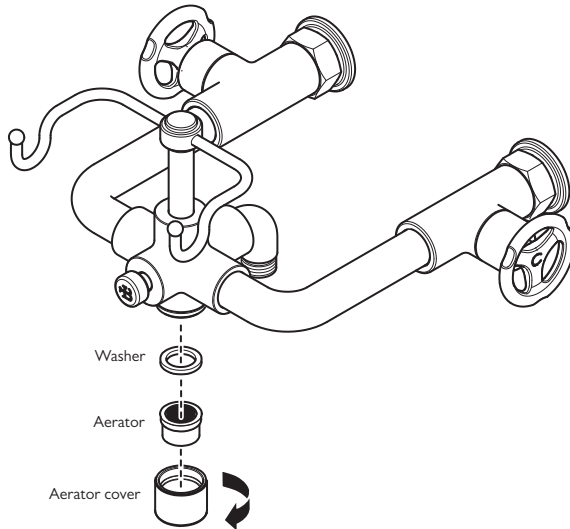
Shown with handwheels. The same procedure applies to lever models



- 1 To avoid unnecessary damage unscrew the hose from the rear of the spout in a counter clockwise direction. Remove the hand shower from the cradle.
- 2 To remove the diverter cartridge, unscrew the set screw in the underside of the diverter knob using a 2mm hexagonal key (E).
- 3 Unscrew the diverter knob in a counter clockwise direction (F).
- 4 Unscrew and remove the set screw in the underside of the spout body using a 2mm hexagonal key (G).
- 5 Pull the elbow clear of the spout body (H).
- 6 Insert a 12mm hexagonal key into the centre of the hole from where the elbow has been removed. Rotate the hexagonal key until it locates in the hexagonal form in the rear of the diverter. Unscrew and remove the diverter in a clockwise direction (viewed from the front).
- 7 Assemble in reverse order using a new diverter.

SERVICING – CLEANING THE SPOUT AERATOR

Shown with handwheels. The same procedure applies to lever models



1 There is an aerator located in the end of the spout. To remove the aerator unscrew and remove the aerator cover in a clockwise direction.

2 The aerator can be cleaned in warm soapy water.

3 Assemble in the reverse order.

FAULT FINDING

The hot/cold valves are turned off but the spout drips continuously.

- Replace the ceramic cartridge(s). See below for spare part numbers.

Water flow from the spout is reduced.

- Debris from the water supply may be causing restriction at the aerator located in the end of the spout. The aerator can be removed for cleaning. See 'servicing – cleaning the spout aerator' section.

Water drips from the end of the flexible shower hose.

- Tighten the connection at the end of the the shower hose. If water continues to drip then unscrew the connection and replace the washer. We recommend replacing the washers at both ends of the hose.

REPLACEMENT PARTS

Both handwheel and lever models use ¼ turn ceramic cartridges.

PHL036 – Pair of ¾" x ¼ turn ceramic cartridges (one counter clockwise closing (left side) and one clockwise closing (right side)).

PHL042 – Single ¾" x ¼ turn ceramic cartridge (clockwise closing – right side).

PHL043 – Single ¾" x ¼ turn ceramic cartridge (counter clockwise closing – left side).

LB2100 – Flexible shower hose with hexagonal ends. 1.5m x 8mm bore.

PSP044 – Pair of flexible shower hose washers.

PFR021 – Aerator and Aerator washer

PSH098 – Aerator sleeve



CUSTOMER SUPPORT

+44 (0)1992 708 316

LEFROYBROOKS.CO.UK

Whilst every effort is made to ensure the accuracy of these, they are subject to change without notice as part of the company's product development process. The use of trademarks, product design and artwork is subject to licence or agreement with LBIP Ltd. The design registrations, trademark registrations and copyrights are protected by law and the use or reproduction outside the terms of an agreement is prohibited. The right to modify designs and dimensions is reserved. LBIP Ltd is a member of ACID (Anti Copying in Design).