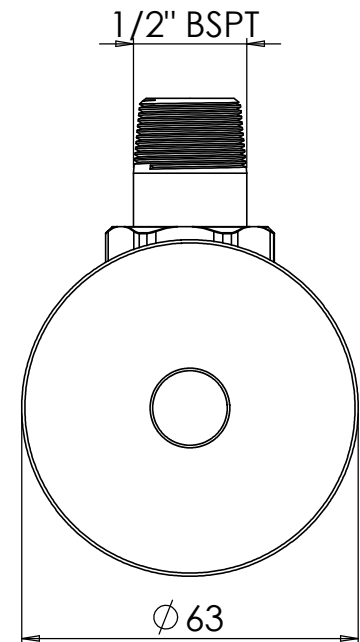
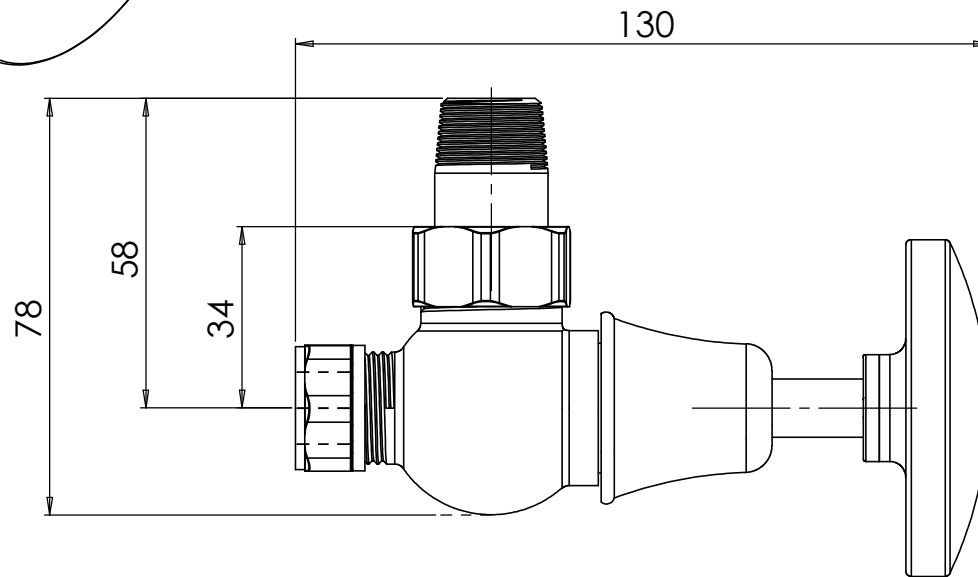
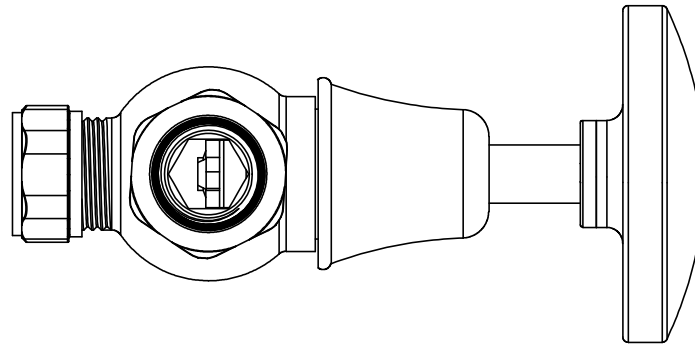
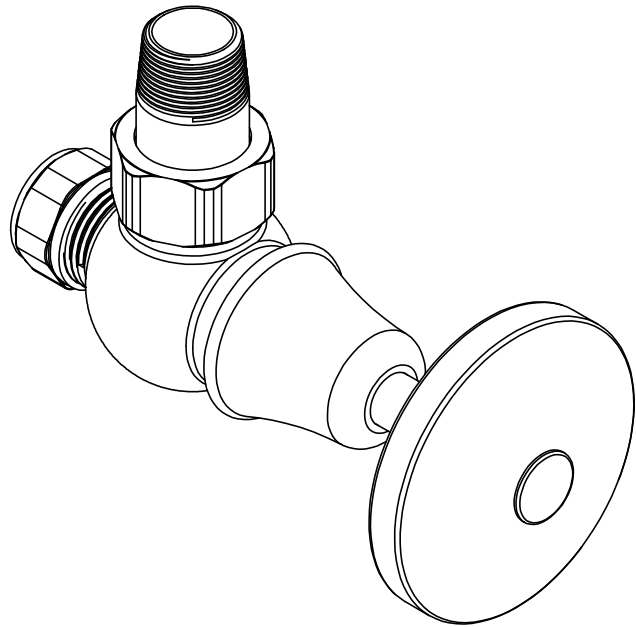


REVISION HISTORY

REV	DESCRIPTION	DATE	INITIALS



Dimensions for reference only

TITLE: Wooden Radiator Valve Assembly			
SCALE: A3	DATE: 07/05/2013	DRAWN BY: MDW	
MATERIAL:		FINISH:	
DWG NO.:		SHEET:	REVISION:

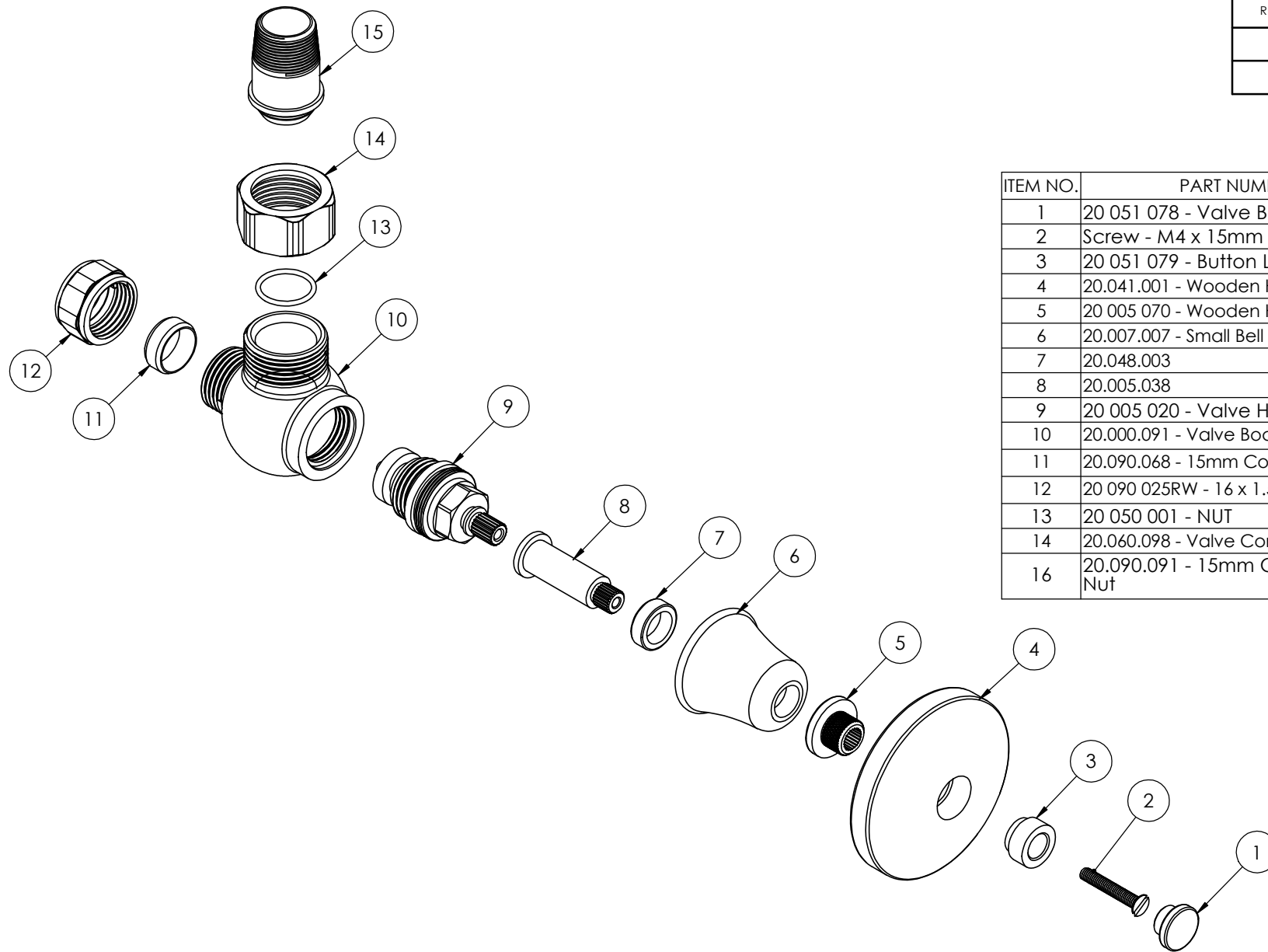
DO NOT SCALE DRAWING

DEBUR AND BREAK SHARP EDGES

UNLESS OTHERWISE SPECIFIED: DIMENSIONS ARE IN MILLIMETERS. TOLERANCES: LINEAR: ±0.2

REVISION HISTORY

REV	DESCRIPTION	DATE	INITIALS



ITEM NO.	PART NUMBER	QTY.
1	20 051 078 - Valve Button	1
2	Screw - M4 x 15mm	1
3	20 051 079 - Button Location	1
4	20.041.001 - Wooden Handle	1
5	20 005 070 - Wooden Handle Insert	1
6	20.007.007 - Small Bell Cover	1
7	20.048.003	1
8	20.005.038	1
9	20 005 020 - Valve Headwork	1
10	20.000.091 - Valve Body	1
11	20.090.068 - 15mm Copper Olive	1
12	20 090 025RW - 16 x 1.5 'O' Ring	1
13	20 050 001 - NUT	1
14	20.060.098 - Valve Connector	1
16	20.090.091 - 15mm Compression Nut	1

TITLE: Wooden Radiator Valve Assembly			
SCALE:	A3	DATE	04/09/2015
		DRAWN BY	MDW
MATERIAL:		FINISH:	
DWG NO.		SHEET	REVISION

DO NOT SCALE DRAWING

DEBUR AND BREAK SHARP EDGES

UNLESS OTHERWISE SPECIFIED: DIMENSIONS ARE IN MILLIMETERS. TOLERANCES: LINEAR: ±0.2