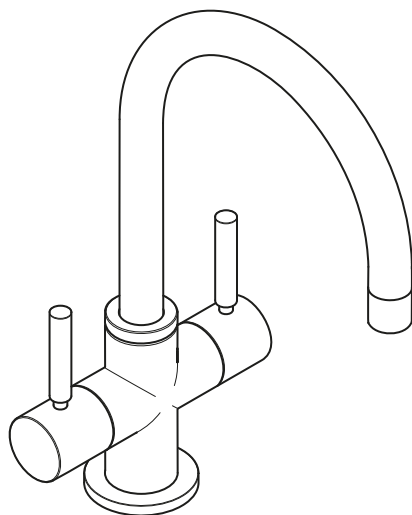


XO3050 / XO3055 / XO3205  
DECK MOUNTED MONO MIXER  
INSTALLATION GUIDE

---



---

L E F R O Y   B R O O K S



## IMPORTANT INFORMATION

### Professional installation

We recommend that our products are fitted by a fully qualified professional plumber. They should be installed correctly and in accordance with all local water regulations and the system protected by non-return valves (not supplied). All products should be accessible for routine servicing.

### Suits all systems

This Lefroy Brooks product is potentially suitable for every possible application, type of boiler and water supply pressure. However, if your supply pressure is below 1 bar it is advisable to fit a water pump. For systems with combination boilers, it is not advisable to fit pumps (refer to boiler manufacturer).

### Supply connections

The hot water supply should be connected to the left port and the cold water supply to the right port as viewed from the front.

### Supply temperature safety notice

To comply with local building regulations, current legislation, relevant standards and codes of practice a thermostatic mixing valve (TMV) should be fitted (not supplied) to the hot supply. This will restrict the temperature to a safe working maximum temperature. Maximum allowed temperatures vary subject to type of installation or specification of building.

### Balancing flow

If there is a significant difference in water pressures between hot & cold supplies, we recommend an in-line flow suppressor/regulator (not supplied) be fitted. This should be fitted to whichever has the greater flow rate, in an accessible position close to the valve.

### Water quality

In hard water areas, a suitable water treatment system should be provided to prevent limescale deposits (calcium deposits) which may effect the long term performance of the ceramic cartridges. Exterior surfaces should be gently wiped with a dry soft cloth after use to minimise water stains and limescale deposits.

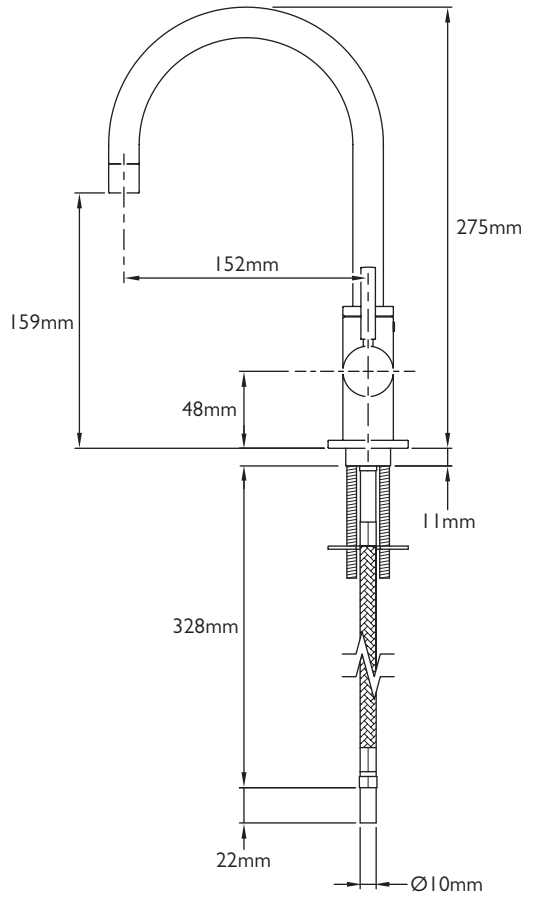
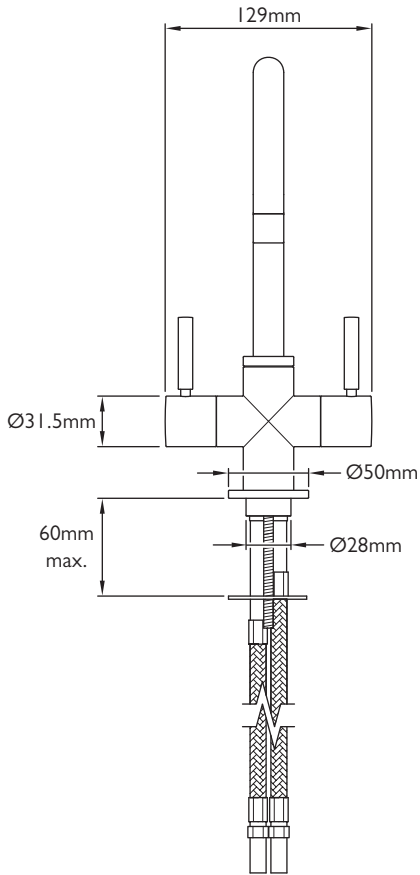
### Flushing system

It is most important to flush out all pipework thoroughly before connecting the product. This is the single most common cause of ceramic cartridge failure.

### Servicing

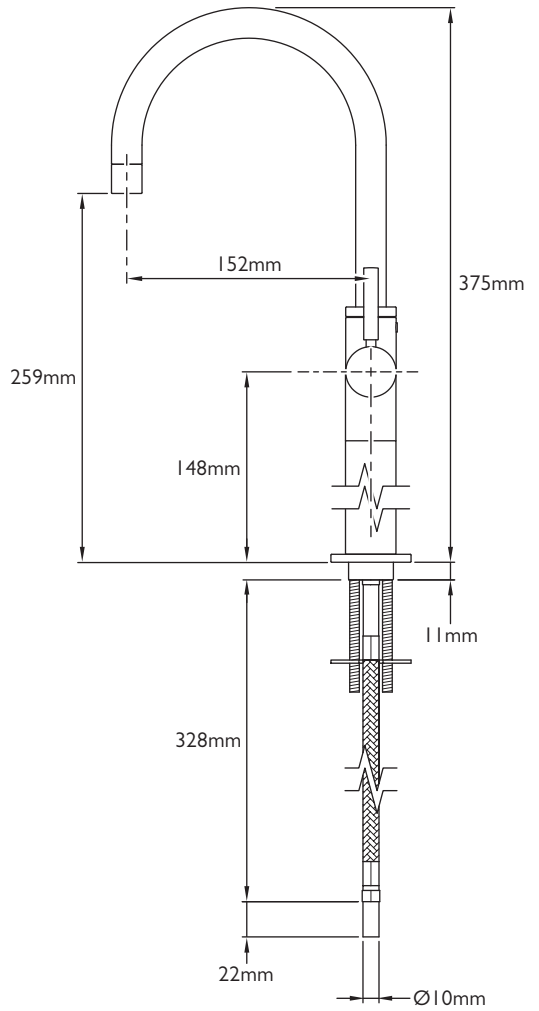
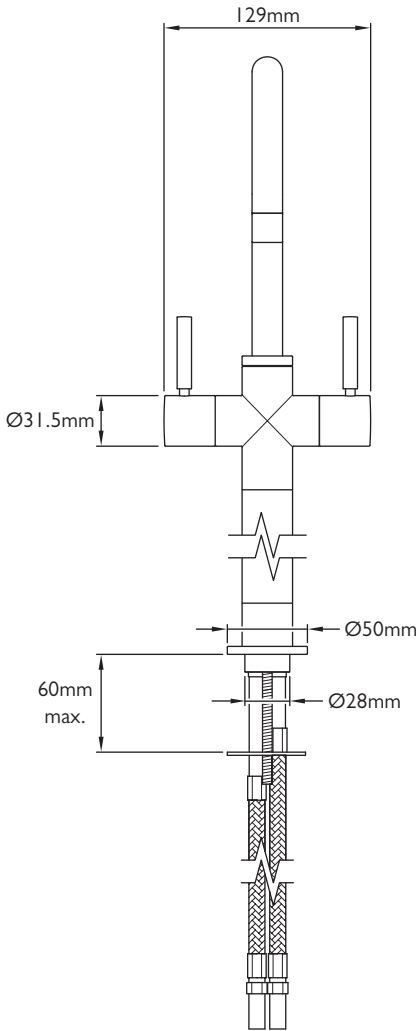
All serviceable parts are available to maintain your Lefroy Brooks product.

# DIMENSIONS FOR XO3050



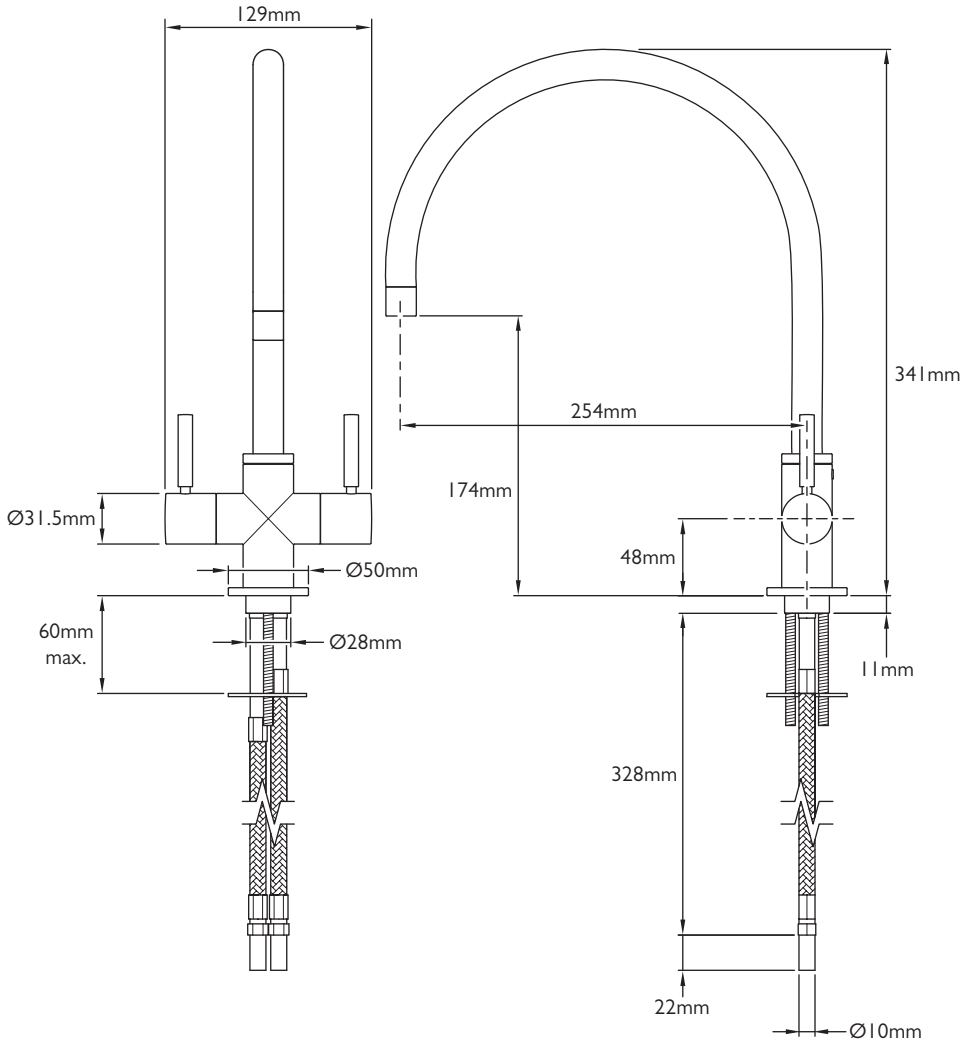
Not to scale

# DIMENSIONS FOR XO3055



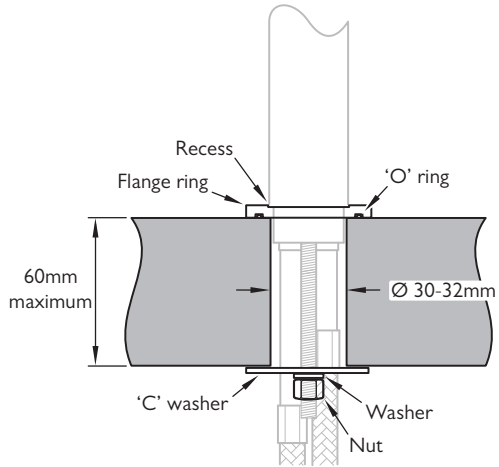
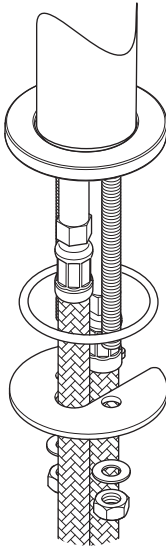
Not to scale

# DIMENSIONS FOR XO3205



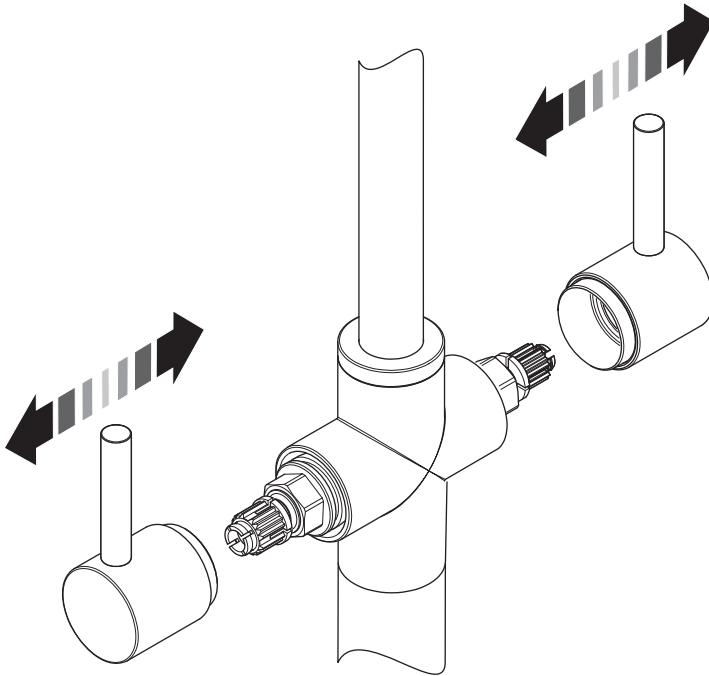
Not to scale

## INSTALLATION



- 1 Unscrew and remove the nuts, washers, 'C' washer and flange ring (with 'O' ring) from the underside of the valve.
- 2 Ensure that the 'O' ring is located into the recess in the underside of the flange ring. Place the flange ring over the pre-cut Ø30–32mm hole in your work surface or pre-cast sanitary ware. The 'O' ring should be in contact with the work surface or sanitary ware.
- 3 Pass the flexible hoses and threaded studs through the hole in the work surface or pre-cast sanitary ware (maximum thickness 60mm).
- 4 Sit the valve into the recess in the flange ring. Place the spout in the correct position.
- 5 From the underside of the work surface or sanitary ware locate the 'C' washer onto the threaded studs and secure with the washers and nuts.
- 6 Ensure that the spout is in the correct position. Using a 6mm spanner or socket tighten the nuts sufficiently to secure the valve.
- 7 The flexible hoses can now be connected to the appropriate supplies using compression fittings.
- 8 Do not use soldered fittings as the heat may damage the flexible hoses.

## SERVICING – HANDLE REMOVAL & REPLACEMENT



Pair of replacement plastic spline adapters - PXT006

### Handle removal

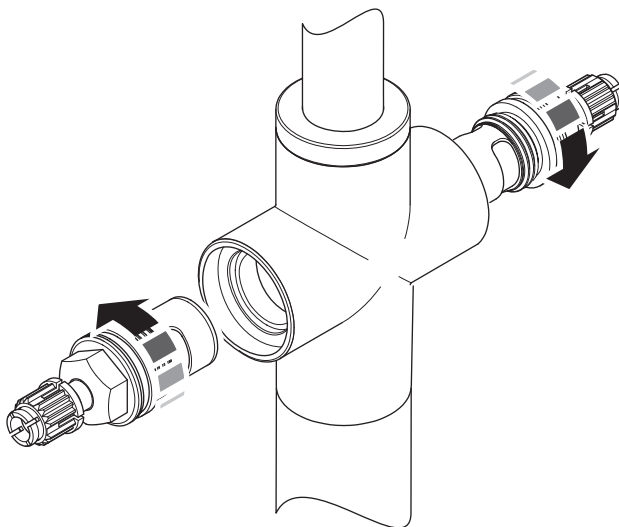
- 1 Grasp the handle and pull firmly in a straight line clear of the monobloc body. Do not pull on the lever arm as this may cause damage.

### Handle fitting

- 1 Locate the handle onto the spline a little, then rotate the handle to check alignment. Adjust as required.
- 2 Support the valve body and push the handle firmly until it 'clicks' securely into position.



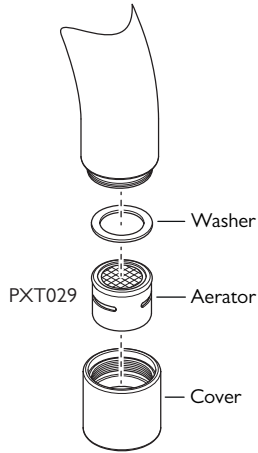
## SERVICING – TO REPLACE CERAMIC CARTRIDGES



Pair of replacement ceramic cartridges - PXT004

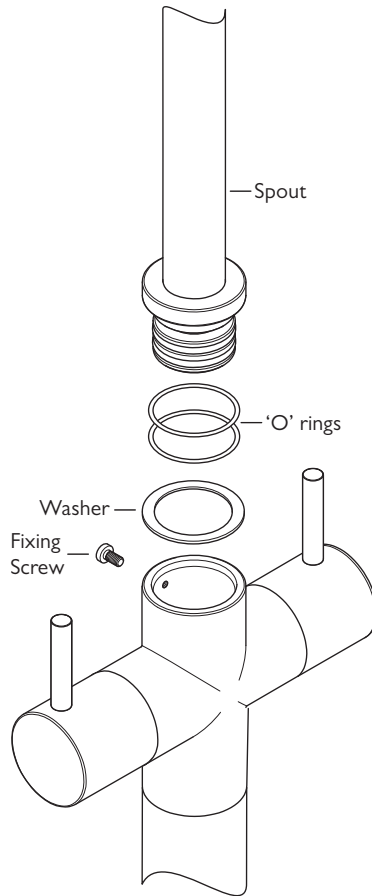
- 1 Isolate the hot and cold water supplies and drain the system as required.
- 2 Remove the appropriate handle(s) as in the previous section.
- 3 Using a 17mm a/f spanner or socket unscrew the cartridge and remove.
- 4 Check inside the valve body for any debris or limescale. Wipe clean as required.
- 5 Screw a new ceramic cartridge into the valve body and tighten using a 17mm spanner or socket.
- 6 Open the hot and cold supplies.
- 7 Check for leaks.
- 8 Replace the handle(s) as in previous section.
- 9 Check operation of the cartridge(s).

## SERVICING – CLEANING OR REPLACING THE AERATOR



- 1 Unscrew the cover to reveal the aerator.
- 2 Remove the aerator from the spout.
- 3 The aerator can be cleaned in warm soapy water or replaced.
- 4 Check the spout for debris and limescale. Wipe clean as required.
- 5 Fit the aerator and assemble in the reverse order.

## SERVICING – SPOUT & 'O' RING REMOVAL



- 1 Using a 2mm hexagonal key, unscrew and remove the screw from the rear of the valve.
- 2 Remove the spout by pulling upward with a twisting action.
- 3 Inspect the 'O' rings and washer for signs of damage.
- 4 If the 'O' rings are damaged or show signs of wear, pull them off the spout base and replace with new 'O' rings. If the washer is damaged replace this with a new washer.
- 5 Before fitting the spout apply silicon grease to the 'O' rings. Fit the spout into the valve body by applying downward pressure with a twisting action.
- 6 Fit the screw at the rear of the valve and tighten fully using a 2mm hexagonal key.



CONTRACT ENQUIRIES

+44 (0)1992 708 316

[info@lefroybrooks.co.uk](mailto:info@lefroybrooks.co.uk)

CUSTOMER SERVICE, SPARES & TECHNICAL ENQUIRIES

+44 (0)1902 390 894

[technical@lefroybrooks.co.uk](mailto:technical@lefroybrooks.co.uk)

LEFROYBROOKS.CO.UK

---

Whilst every effort is made to ensure the accuracy of these, they are subject to change without notice as part of the company's product development process. The use of trademarks, product design and artwork is subject to licence or agreement with LBIP Ltd. The design registrations, trademark registrations and copyrights are protected by law and the use or reproduction outside the terms of an agreement is prohibited. The right to modify designs and dimensions is reserved. LBIP Ltd is a member of ACID (Anti Copying in Design). E&OE