

ashton & bentley
beautiful baths individually crafted



Contents

Welcome to Ashton & Bentley. We have created a bath collection which we believe is unequalled in quality. Innovative design and craftsmanship is central to Ashton & Bentley's ethos of creating beautiful and elegant Baths.

Ashton & Bentley is a brand and a company that is constantly evolving to reflect the lifestyles of our customers.

Zeus	08-09	Corinthian Metallic	36-37
Olympia	10-11	Alessa	38-39
Olympia (1800)	12-13	Athena	40-41
Olympia (1500)	14-15	Athena Metallic	42-43
Xinia	16-17	Othello	44-45
Onis	18-19	Othello (In factory finish/self paint option)	46-47
Isis	20-21	Hand Basins	48-49
Lefka	22-23	Range Overview	50-53
Aegean (1700 & 1800)	24-25	Factory Finishes	54-55
Aegean Metallic (1700 & 1800)	26-27	Self Paint Baths	56-57
Nisou	28-29	Care & Maintenance	58
Vasili	30-31	Fitting Instructions	59
Azzure	32-33	Eco Controlled Overflow - ECO	60
Corinthian	34-35	Guarantee, Terms & Conditions	61
		Introducing the New Organic Técnica range	62-63





Ashton & Bentley - **Made in England**

At Ashton & Bentley we have brought back time-honoured skills by designing and manufacturing our entire freestanding bath collection in our English factory.

Beautiful baths individually crafted. This is English innovation at its best. Utilising the latest computer aided technology and the meticulous use of modern materials, together personify the essence of Ashton & Bentley.

With our exclusive material Corro™ we have harnessed the thermal properties of organic limestone and pure white marble. This unique composite material is beautiful, hard wearing, luxurious and practical, which allows bath water to stay warmer for longer.

Our timeless baths, hand-polished by skilled craftsmen in a variety of different finishes, remind England to be proud of its manufacturing heritage.

Made in
England



Correro™

Correro™ is a matrix exclusive to Ashton & Bentley, which is rich in organic minerals. The material is long lasting, elegant and hygienic, with wonderful thermal properties.

Correro™ is inherently “renewable” because it is solid and homogenous all the way through. Most everyday marks or scratches can be repaired to restore the bath to its original smooth, hygienic solid surface integrity.

The amalgam of organic minerals and high tech resins, result in a mineral that is both durable and hard wearing, with a luxurious finish that retains water temperature longer.



Zeus

Bold and glorious, the Zeus has rich opulent lines designed for sumptuous bathing.

This imposing design has a 50mm thick body tapering to 40mm at the sides to provide the most luxurious and relaxing experience.

Please ensure you fit an Ashton and Bentley waste kit.

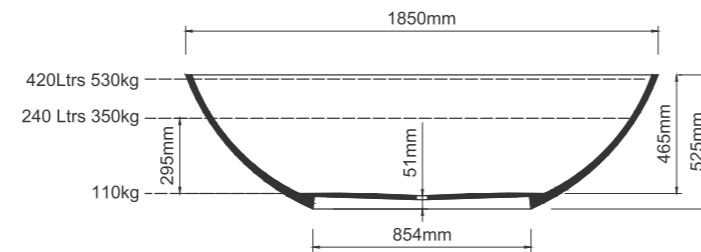
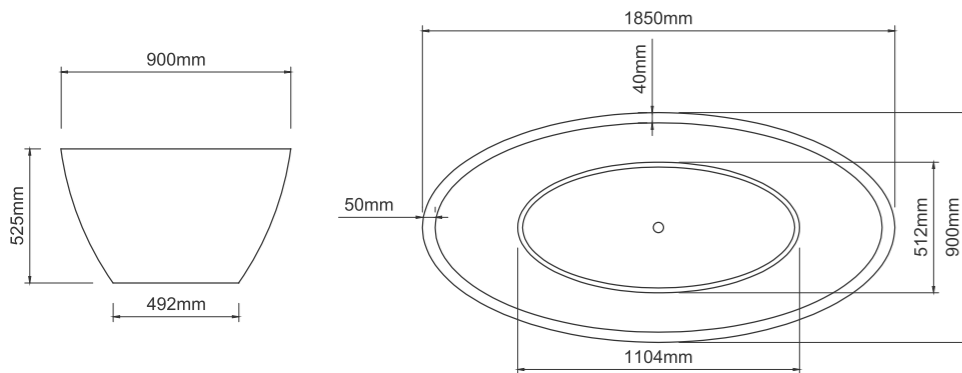
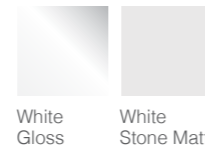


Recommended Hand Wash Basin

Apollo - See page 49 for more details



Available in White



Bath Weight: 110 Kilos (approx)
This bath requires an un-slotted waste.



Olympia

The imposing design and comfort of the Zeus has inspired the creation of the Olympia, the body has been remodelled to create a slender bath full of character.

Olympia 1790mm without overflow.

Please ensure you fit an Ashton and Bentley waste kit.

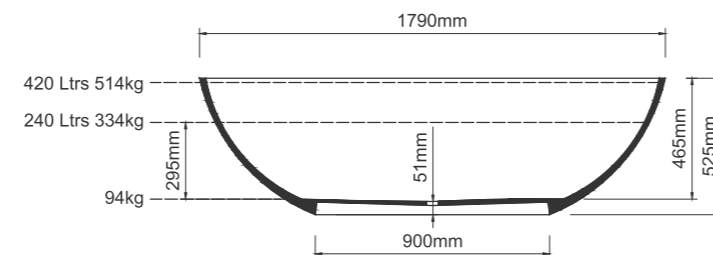
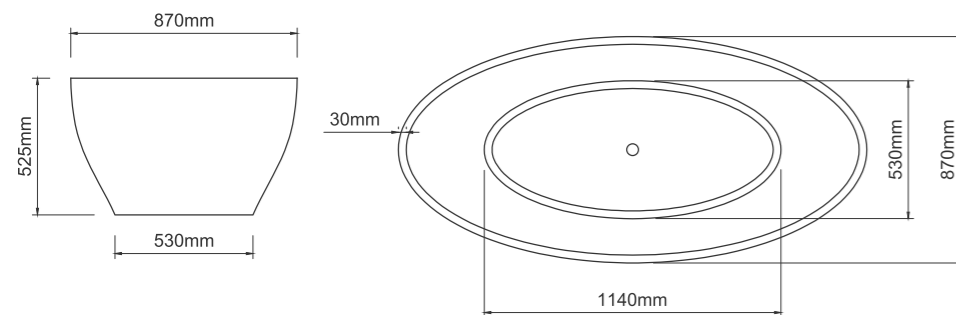
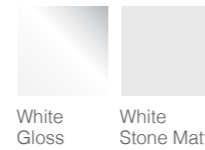


Recommended Hand Wash Basin

Kos - See page 49 for more details



Available in White



Bath Weight: 94 Kilos (approx)
This bath requires an un-slotted waste.



Olympia (1800)

The sophisticated design of the Olympia has been enhanced with the addition of an internal overflow.

Please ensure you fit an Ashton and Bentley slotted waste kit.

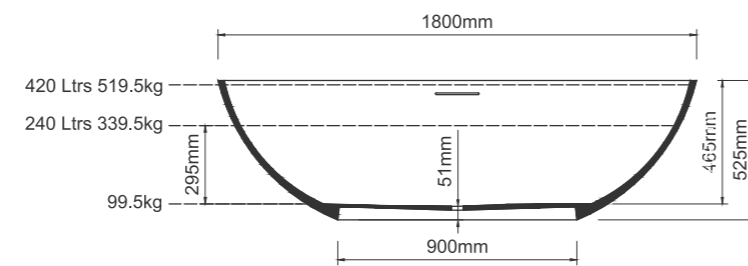
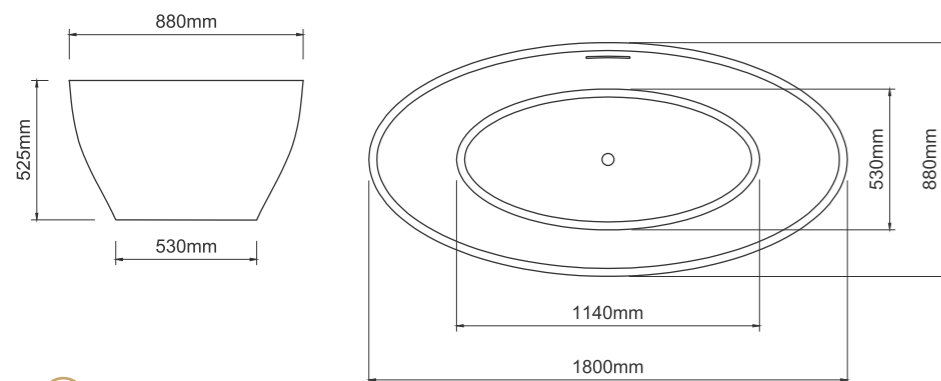
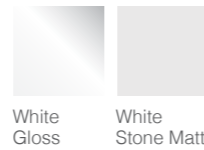


Recommended Hand Wash Basin

Kos - See page 49 for more details



Available in White



Bath Weight: 99.5 Kilos (approx)
This bath requires a slotted waste.



Olympia (1500)

An addition to the Olympia collection is this beautiful 1500mm bath with an internal overflow.

Please ensure you fit an Ashton and Bentley slotted waste kit.

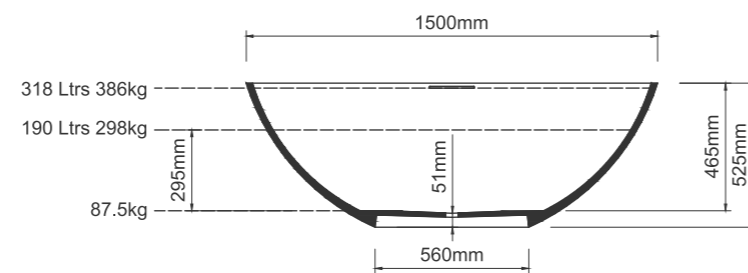
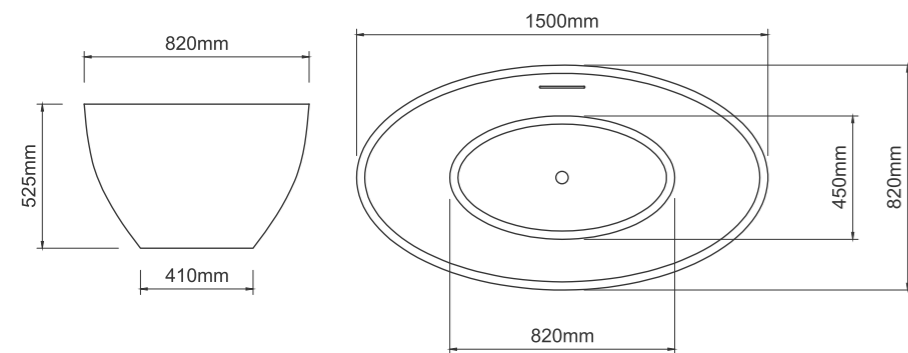
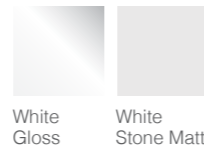


Recommended Hand Wash Basin

Kos - See page 49 for more details



Available in White



Bath Weight: 87.5 Kilos (approx)
This bath requires a slotted waste.



Xinia

Inspired by nature's perfect design, the egg. This sleek and elegant shape adds elegance and luxury to any bathroom.

Please ensure you fit an Ashton and Bentley waste kit.

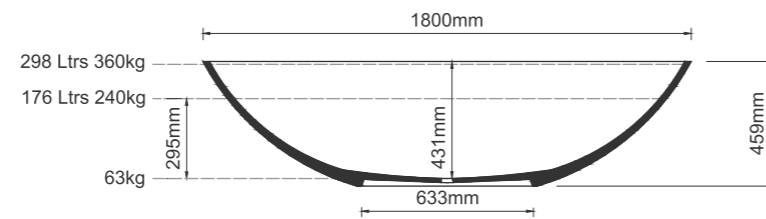
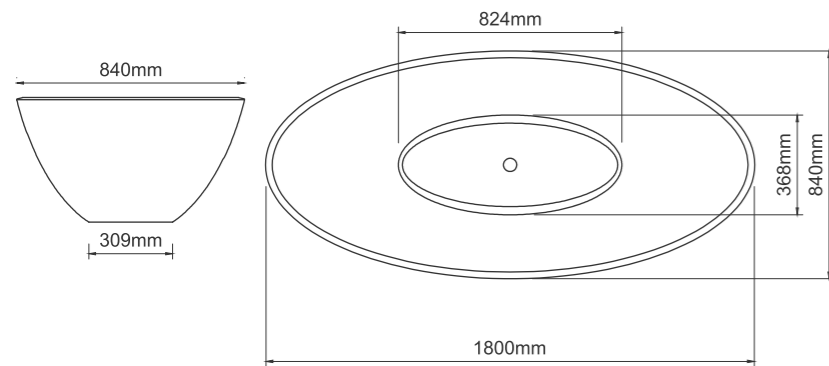
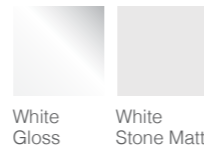


Recommended Hand Wash Basin

Kos - See page 49 for more details



Available in White



Bath Weight: 63 Kilos (approx)
This bath requires an un-slotted waste.



Onis

Inspired by nature, this exquisite and striking design will be the focal point of any bathroom.

The Onis incorporates a plinth design which is now available in white, platinum, copper and brass to add that extra sophistication.

Please ensure you fit an Ashton and Bentley waste kit.

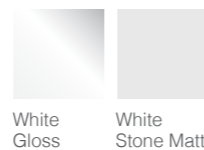


Recommended Hand Wash Basin

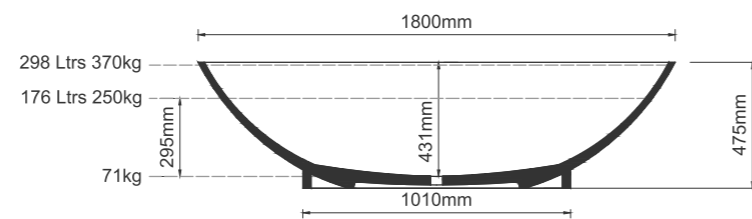
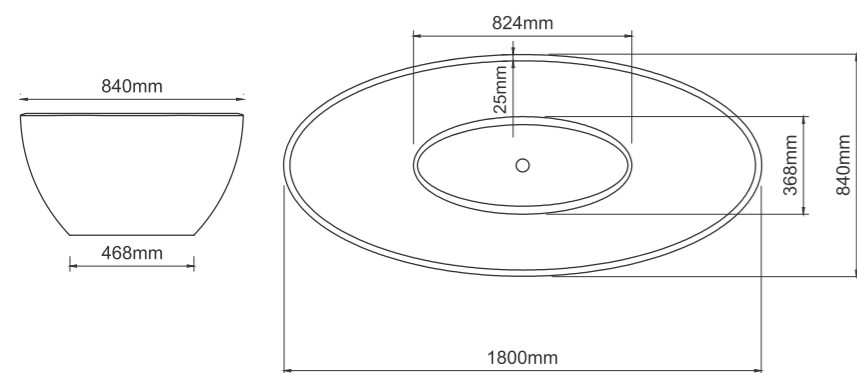
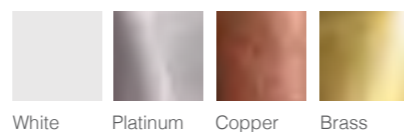
Eos - See page 49 for more details



Available in White



Available Plinth Finishes



Bath Weight: 71 Kilos (approx)
This bath requires an un-slotted waste.



© Ashton & Bentley 2016

Inspired by nature

Isis

This enchanting bath has been meticulously contoured to create the ultimate in bathing comfort.

Please ensure you fit an Ashton and Bentley waste kit.

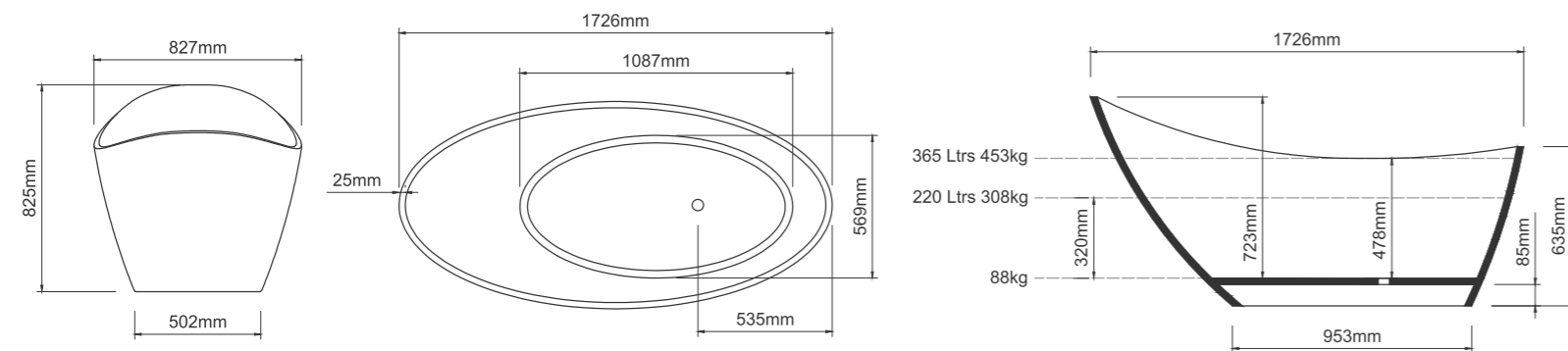
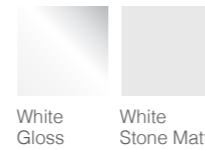


Recommended Hand Wash Basin

Isis - See page 49 for more details



Available in White



Bath Weight: 88 Kilos (approx)
This bath requires an un-slotted waste.



© Ashton & Bentley 2016

Inspired by nature

Lefka

Ergonomically designed to embrace you in a luxurious soak. Small and compact the Lefka adds distinction to smaller bathrooms.

Please ensure you fit an Ashton and Bentley waste kit.

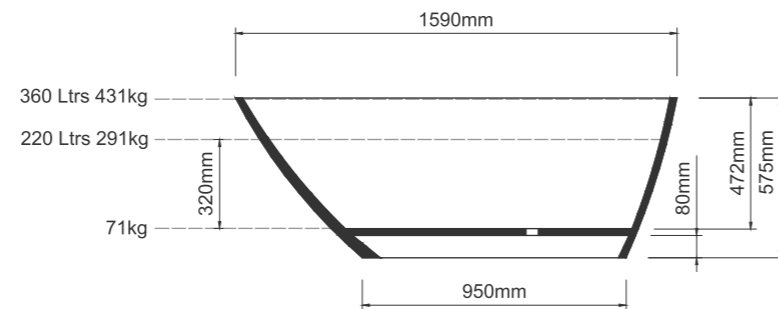
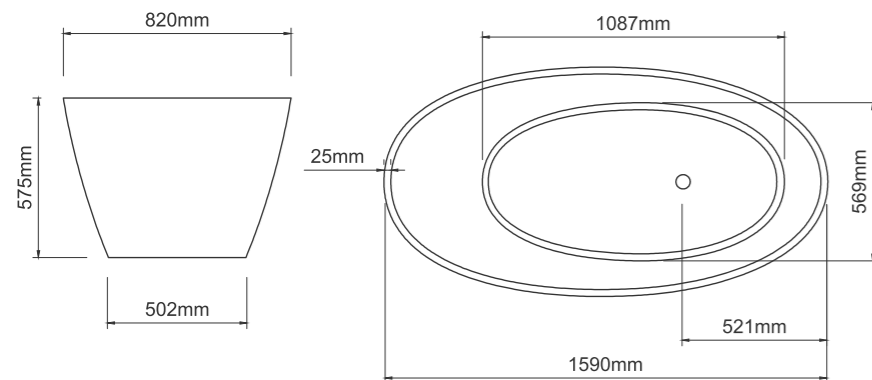
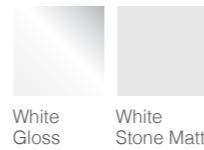


Recommended Hand Wash Basin

Lefka - See page 49 for more details



Available in White



Bath Weight: 71 Kilos (approx)
This bath requires an un-slotted waste.



Aegean (1700 & 1800)

Let your mind drift in the Aegean. The classic French Bateau energised with contemporary lines.

Pre drilled overflow available upon request. This imposing bath is now available in 1700mm and 1800mm lengths.

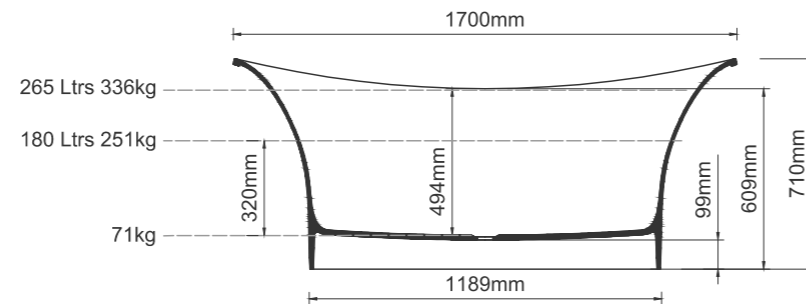
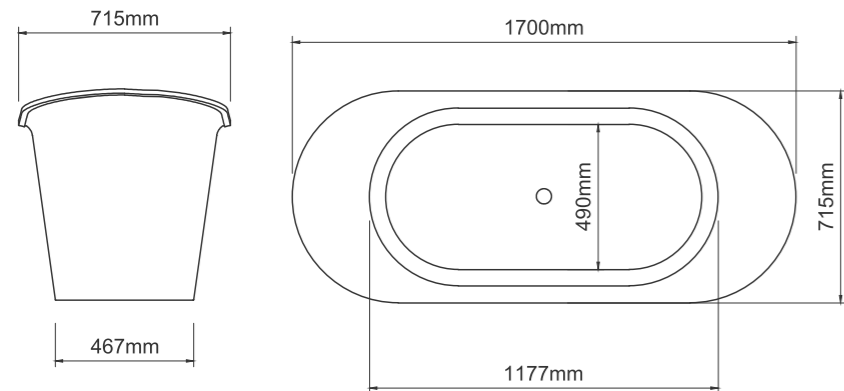
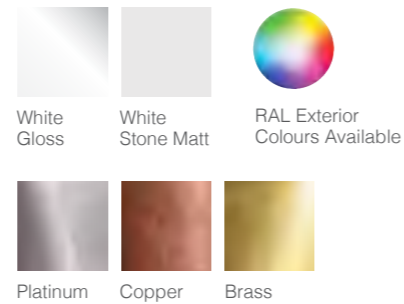


Recommended Hand Wash Basin

Corinthian - See page 48 for more details



Available in White or Standard Metallic



Bath Weight: 71 Kilos (approx)
For pre-drilled overflow exposed waste kit required.
Un-drilled requires un-slotted waste.



Aegean Metallic (1700 & 1800)

The stunning Aegean Metallic, a process unique to Ashton & Bentley.

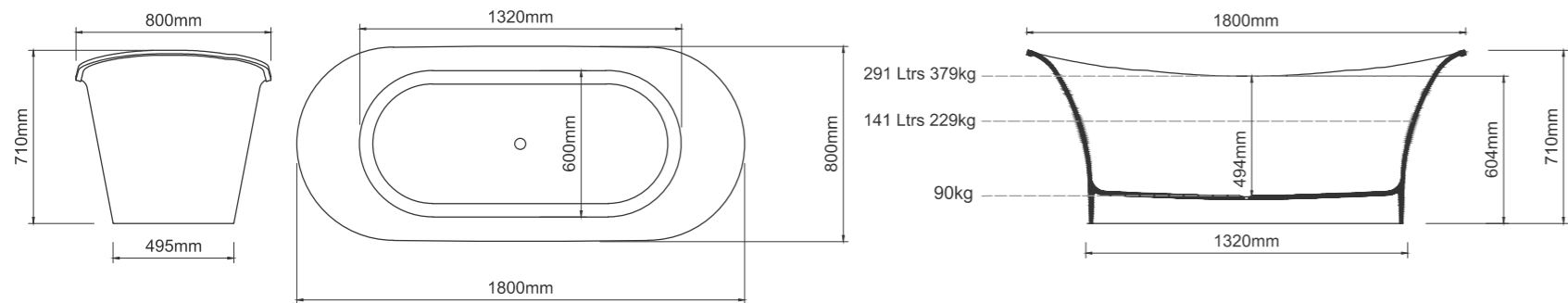
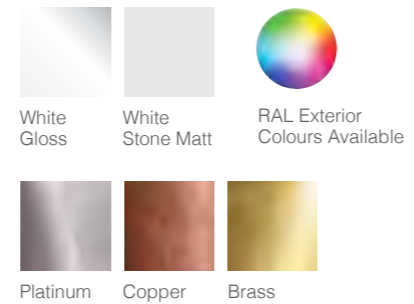
Pre drilled overflow available upon request. This imposing bath is now available in 1700mm and 1800mm lengths.



Recommended Hand Wash Basin Corinthian - See page 48 for more details



Available in White or Standard Metallic



Bath Weight: 90 Kilos (approx)
For pre-drilled overflow exposed waste kit required.
Un-drilled requires un-slotted waste.



© Ashton & Bentley 2016

Inspired by nature

Nisou

The Nisou has been designed with geometric lines that flow effortlessly throughout. These commanding lines are perfect for the modern bathroom.

Pre drilled overflow available upon request.



Recommended Hand Wash Basin

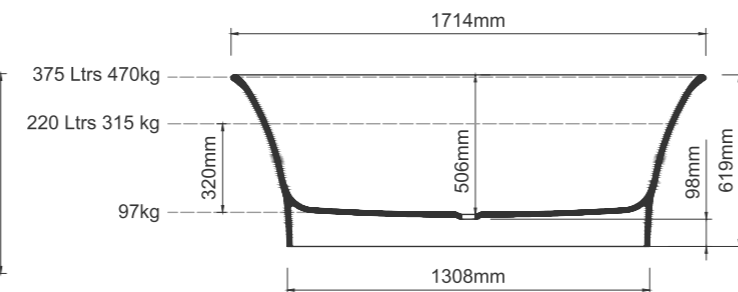
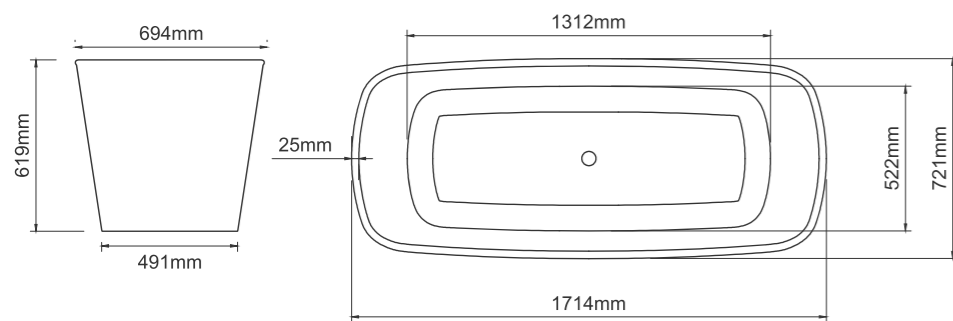
Zoi - See page 49 for more details



Available in White



White Gloss White Stone Matt



Bath Weight: 97 Kilos (approx)
For pre-drilled overflow exposed waste kit required.
Un-drilled requires un-slotted waste.



Vasili

Minimalist elegance culminating in a soft roll top.

The delicate lines of the Vasili are unequalled, embracing both classic and modern design, suitable for any architectural period.

Pre drilled overflow available upon request.

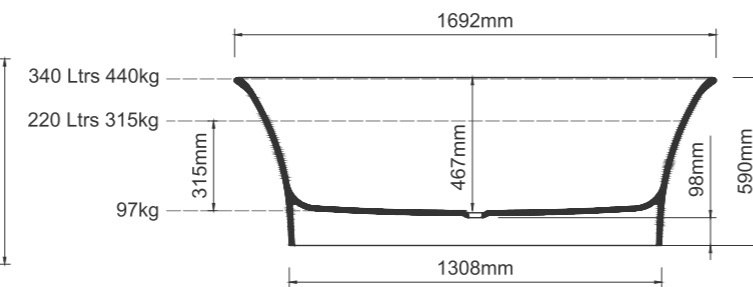
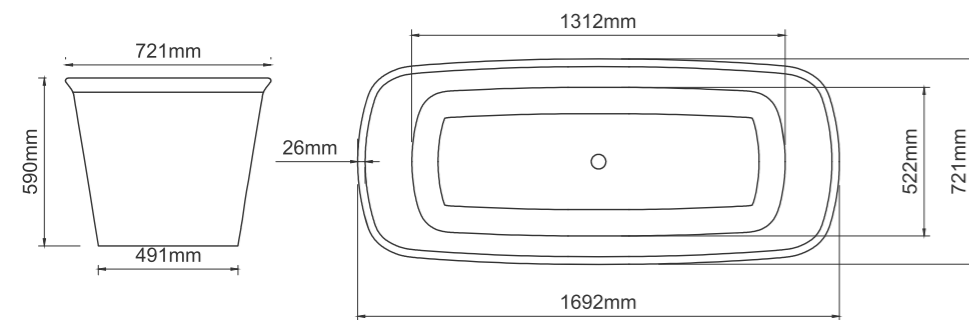
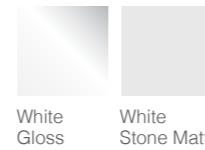


Recommended Hand Wash Basin

Delphi - See page 48 for more details



Available in White



Bath Weight: 97 Kilos (approx)
For pre-drilled overflow exposed waste kit required.
Un-drilled requires un-slotted waste.



Azzure

The Azzure has been created to reflect the Art Deco period, designed with a delicate detailed rim and tap ledge. A bath that evokes style and grace.

Art Deco feet as standard. Available with ball and claw feet at additional cost. Available only in white gloss.



Recommended Hand Wash Basin

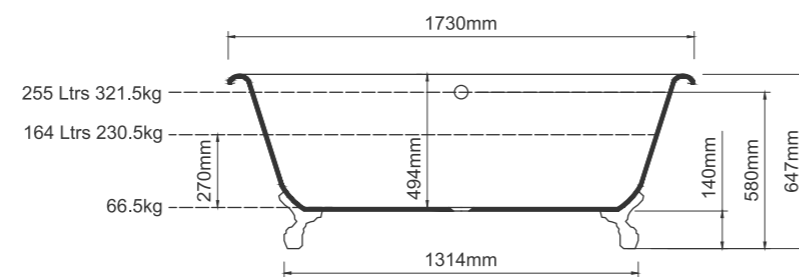
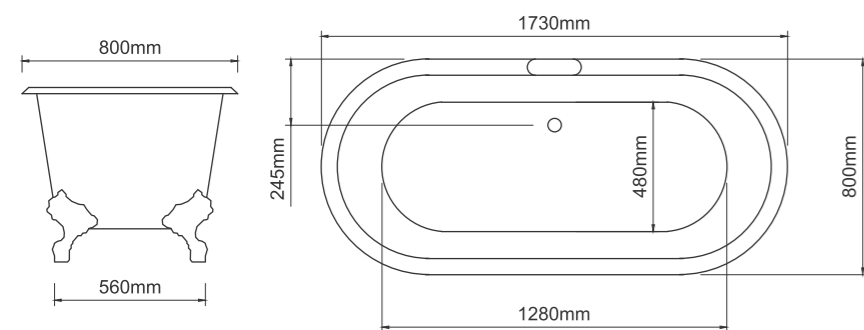
Corinthian - See page 48 for more details



Available in White



White
Gloss



Bath Weight: 66.5 Kilos (approx)
Pre drilled overflow, exposed waste kit required.



© Ashton & Bentley 2016

Inspired by nature

Corinthian

A classically shaped bath with a graceful roll top with ball and claw feet. Made from Correro™ stone, unique to Ashton & Bentley.

Available with or without tap ledge.

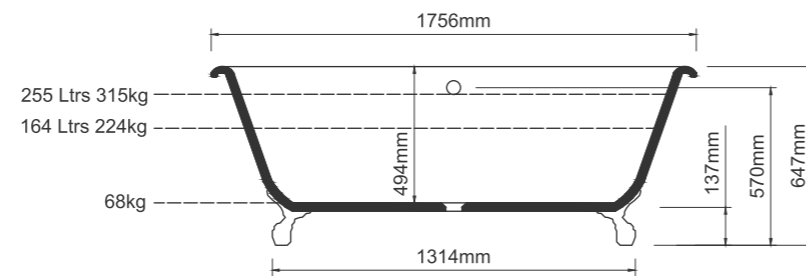
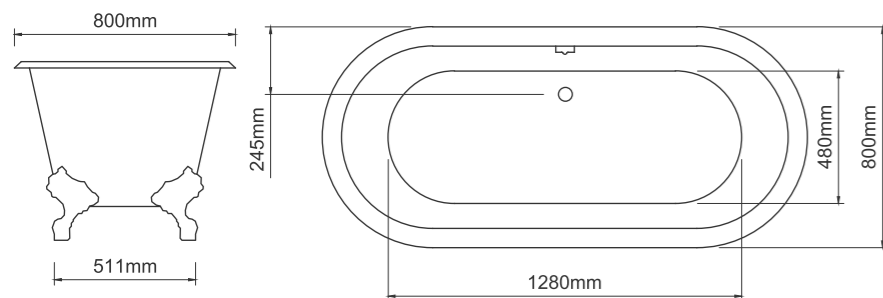
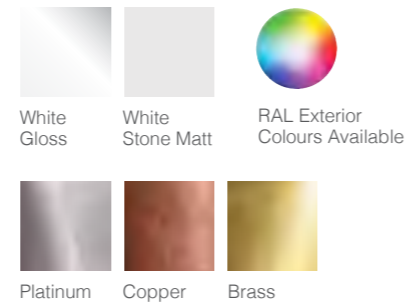


Recommended Hand Wash Basin

Corinthian - See page 48 for more details



Available in White or Standard Metallic



Bath Weight: 68 Kilos (approx)
Pre drilled overflow, exposed waste kit required.



Corinthian Metallic

A remarkable focal point for your bathroom. This classically shaped bath, with its graceful roll top with ball and claw feet, also available in Correro Metallic™ finishes.

Available with or without tap ledge.

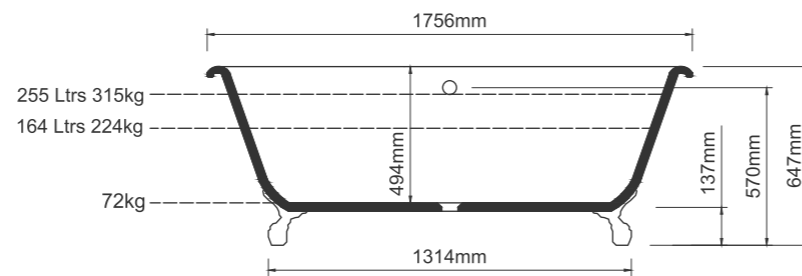
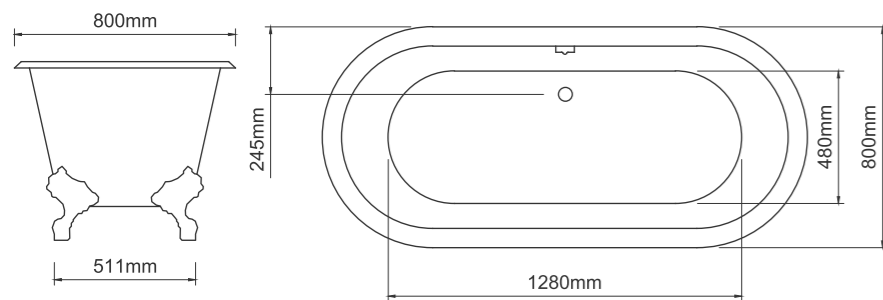
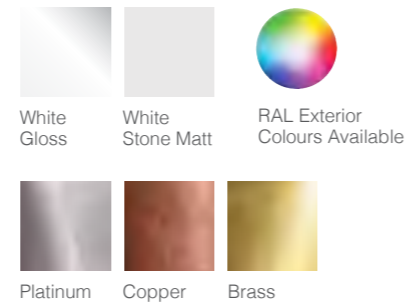


Recommended Hand Wash Basin

Corinthian - See page 48 for more details



Available in White or Standard Metallic



Bath Weight: 72 Kilos (approx)
Pre drilled overflow, exposed waste kit required.



© Ashton & Bentley 2016

Inspired by nature

Alessa

This delightful 1550mm bath adds grace and elegance to any bathroom setting.

With an integral tap ledge.

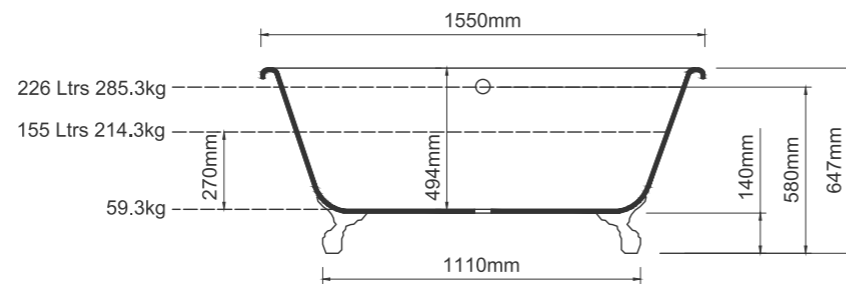
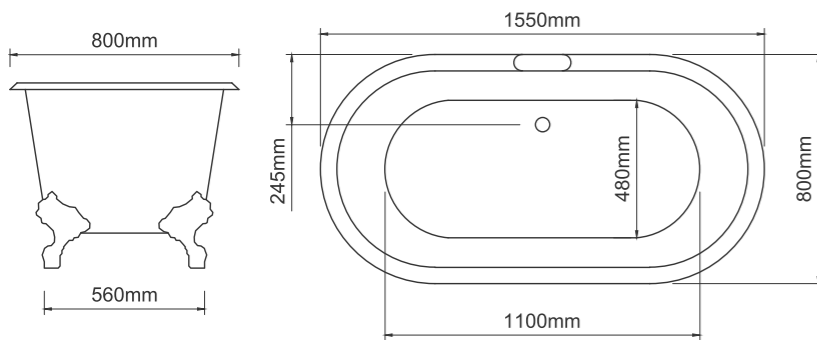
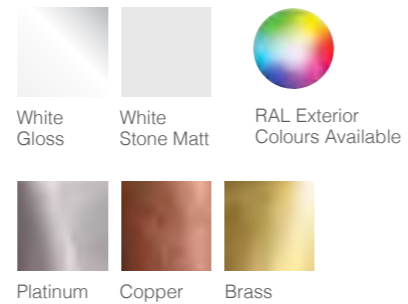


Recommended Hand Wash Basin

Corinthian - See page 48 for more details



Available in White or Standard Metallic



Bath Weight: 59.3 Kilos (approx)
Pre drilled overflow, exposed waste kit required.
With an integral tap ledge.



Athena

The Athena comes in a stunning slipper-shaped form with roll-top edges and classic ball and claw feet. Made from Ashton & Bentley's unique Correro™ stone.

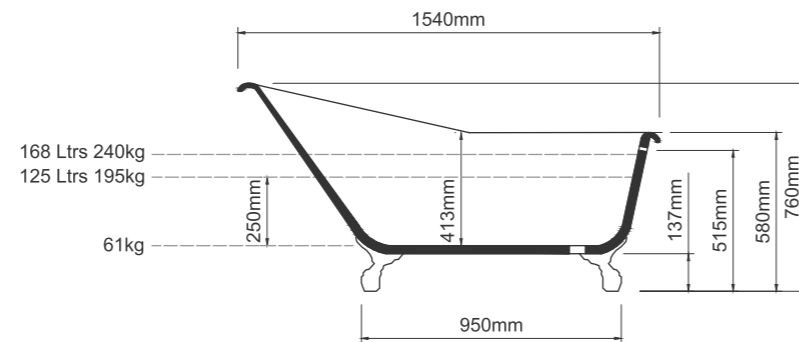
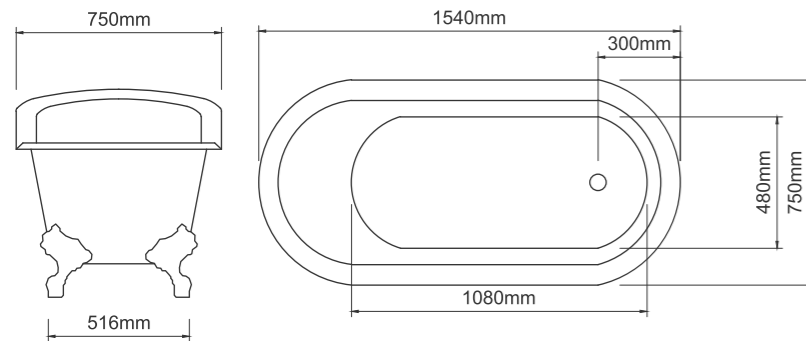
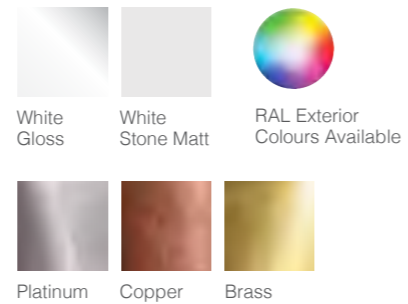


Recommended Hand Wash Basin

Corinthian - See page 48 for more details



Available in White or Standard Metallic



Bath Weight: 61 Kilos (approx)
Pre drilled overflow, exposed waste kit required.



Athena Metallic

This stunning slipper-shaped bath with roll-top edges and classic ball and claw feet is available with metallic finishes for added allure.



Recommended Hand Wash Basin

Corinthian - See page 48 for more details



Available in White or Standard Metallic



White
Gloss



White
Stone Matt



RAL Exterior
Colours Available



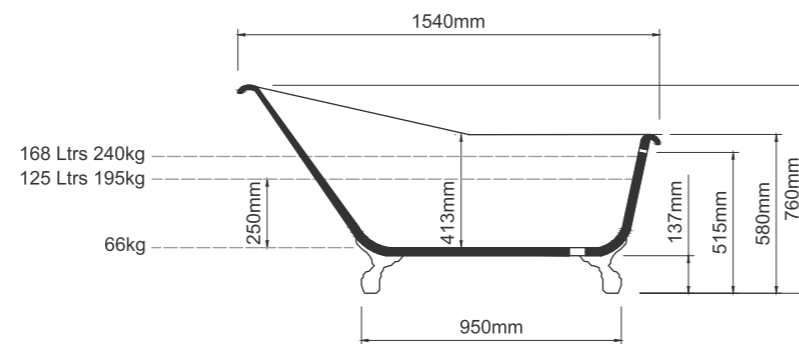
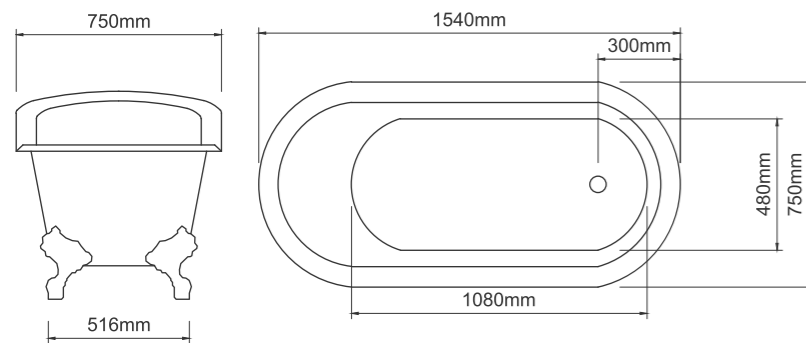
Platinum



Copper



Brass



Bath Weight: 66 Kilos (approx)
Pre drilled overflow, exposed waste kit required.



Othello

Designed with a raised plinth, the Othello seems to poise above the surface, it comes with an integral tap ledge.

Pre drilled overflow available upon request.



Recommended Hand Wash Basin

Corinthian - See page 48 for more details



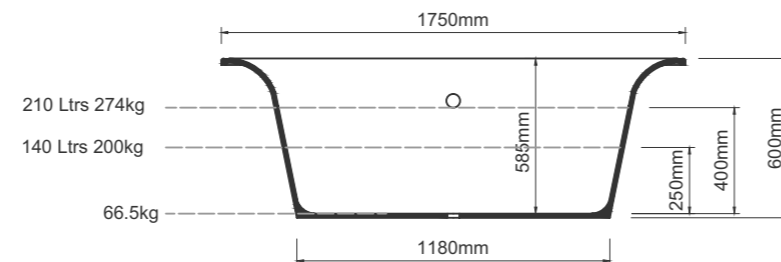
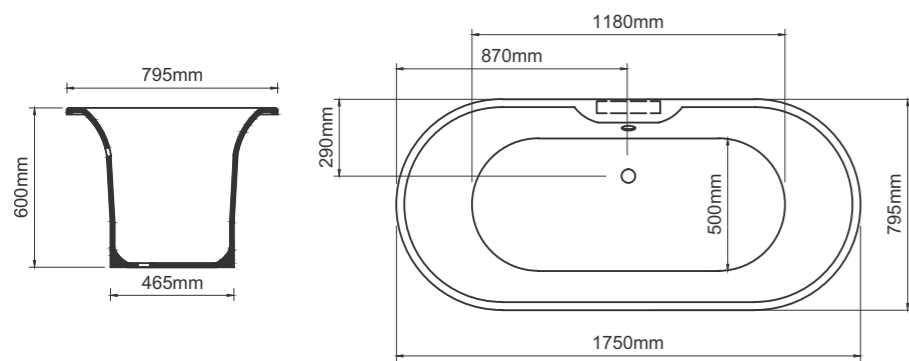
Available in White



White
Gloss



RAL Exterior
Colours Available



Bath Weight: 66.5 Kilos (approx)
For pre-drilled overflow exposed waste kit required.
Un-drilled requires un-slotted waste.



© Ashton & Bentley 2016

Inspired by nature

Othello - In factory finish/self paint option. See Page 54

Create an impact with the introduction of the new Othello self paint bath, which includes an integral tap ledge.

Pre drilled overflow available upon request.

Please Note: This bath is only available with a White Gloss interior. Exterior RAL colours are available as a factory finish. Please see page 54 for further information.

Images are for illustrative purposes only.



Recommended Hand Wash Basin

Corinthian - See page 48 for more details



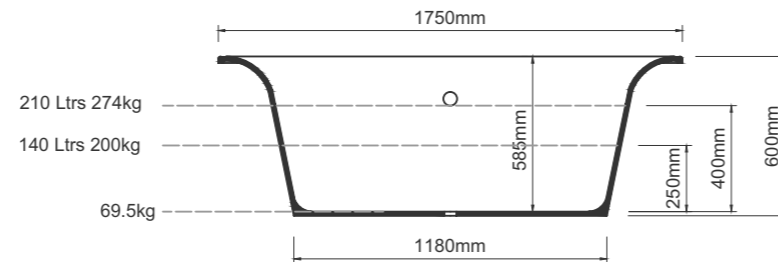
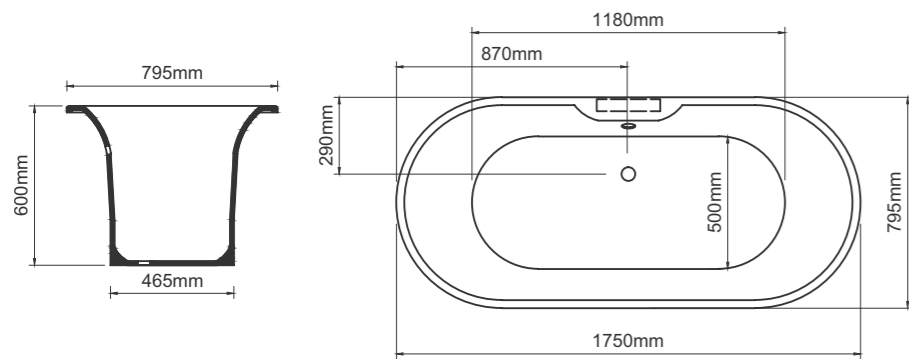
Available in White



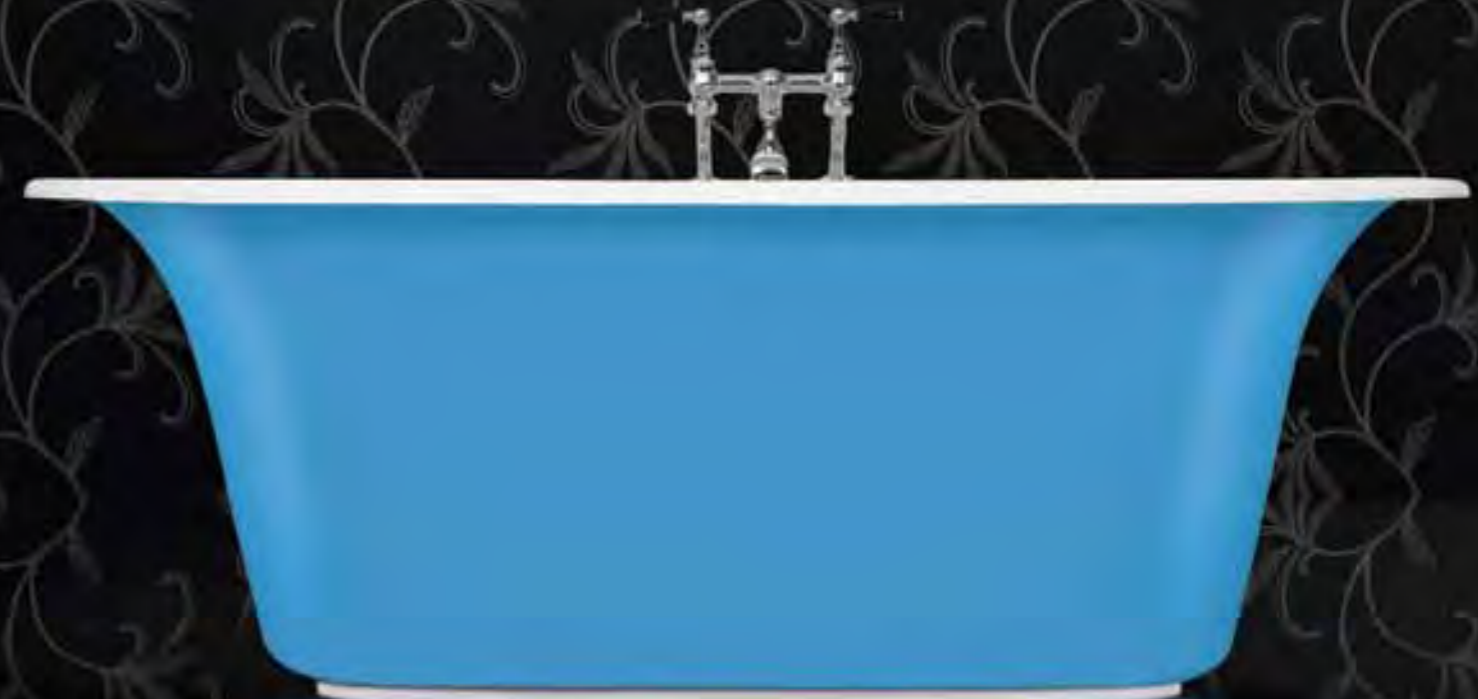
White Gloss



RAL Exterior Colours Available

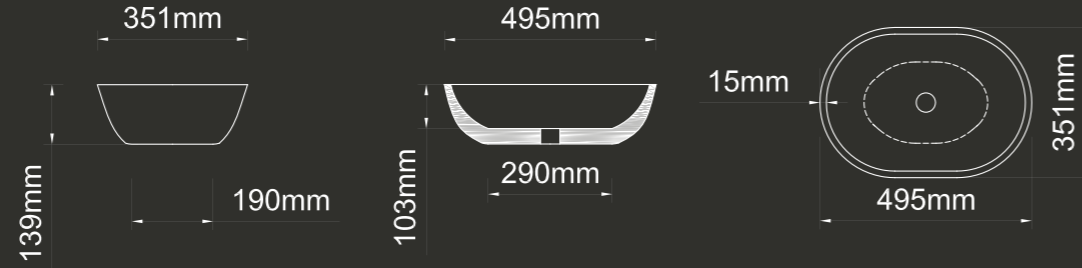


Bath Weight: 69.5 Kilos (approx)
For pre-drilled overflow exposed waste kit required.
Un-drilled requires un-slotted waste.



Hand Basins

Apollo



L 495mm x W 351mm x H 139mm

Basin Weight: 14.7 Kilos (approx)

Corinthian



L 560mm x W 410mm x H 155mm

Basin Weight: 9.0 Kilos (approx)

Delphi



L 548mm x W 422mm x H 136mm

Basin Weight: 18.0 Kilos (approx)

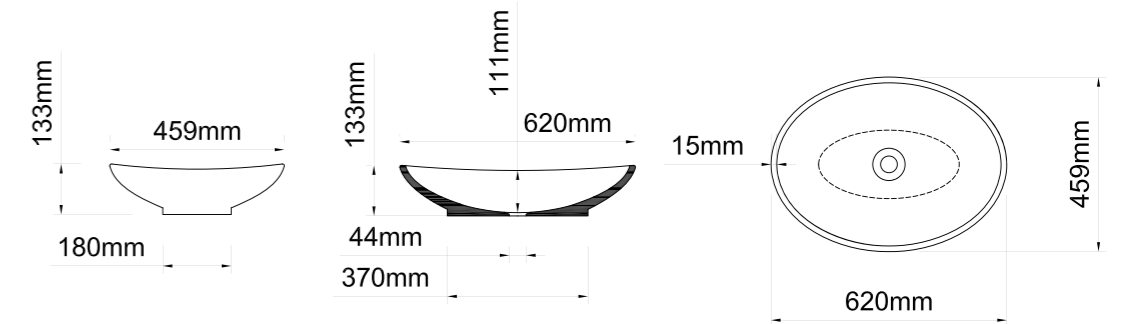
Isis



L 543mm x W 340mm x H 186mm

Basin Weight: 7.5 Kilos (approx)

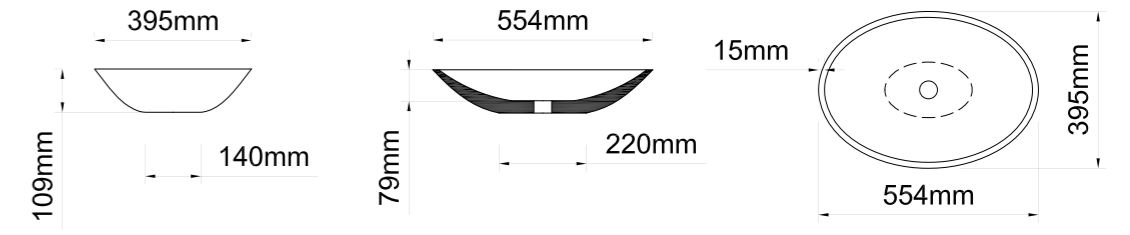
Eos



L 620mm x W 459mm x H 133mm

Basin Weight: 8.37 Kilos (approx)

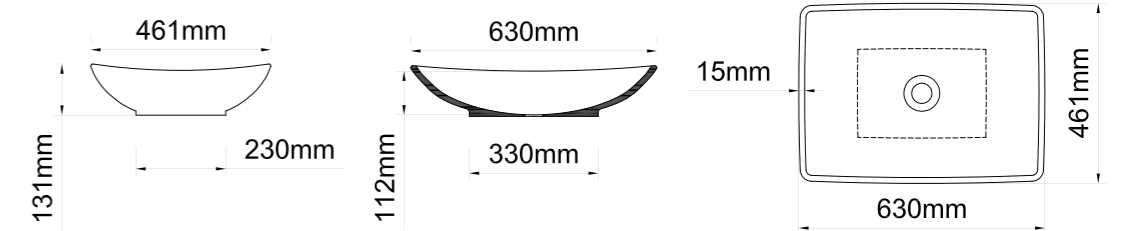
Kos



L 554mm x W 395mm x H 109mm

Basin Weight: 8.21 Kilos (approx)

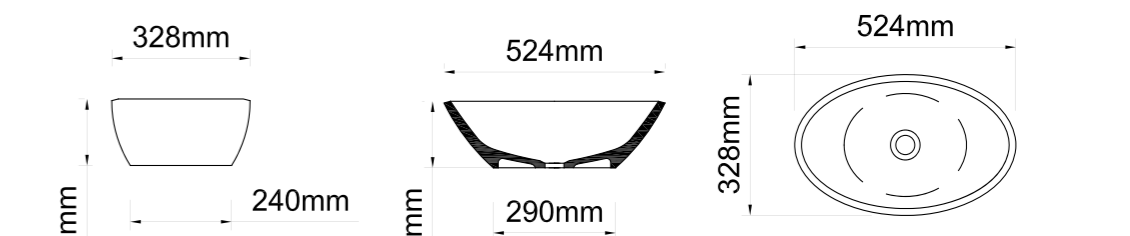
Zoi



L 630mm x W 461mm x H 131mm

Basin Weight: 10.2 Kilos (approx)

Lefka



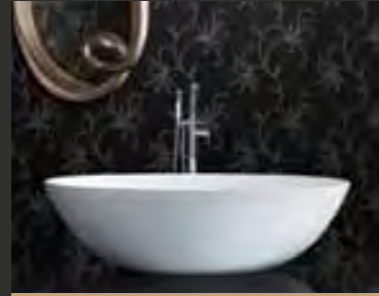
L 524mm x W 328mm x H 155mm

Basin Weight: 6.9 Kilos (approx)

Range Overview



Zeus
See Page 8-9



Olympia
See Page 10-11



Olympia (1800)
See Page 12-13



Olympia (1500)
See Page 14-15



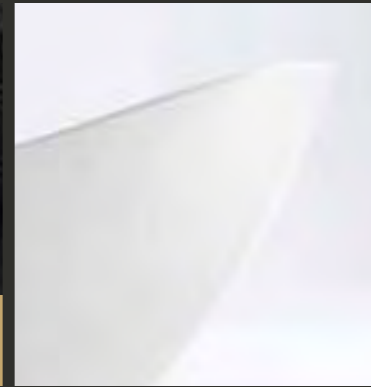
Xinia
See Page 16-17



Onis
See Page 18-19



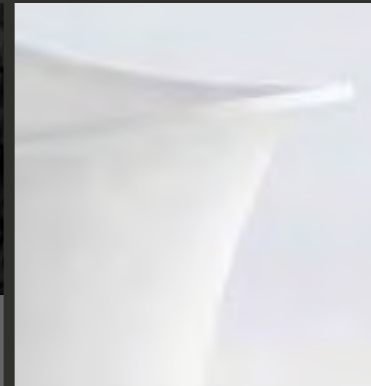
Isis
See Page 20-21



Lefka
See Page 22-23



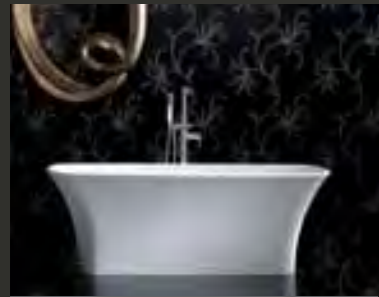
Aegean
See Page 24-25



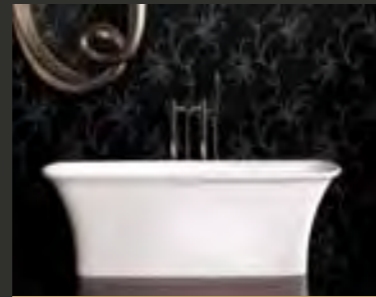
Aegean Metallic
See Page 26-27



Range Overview



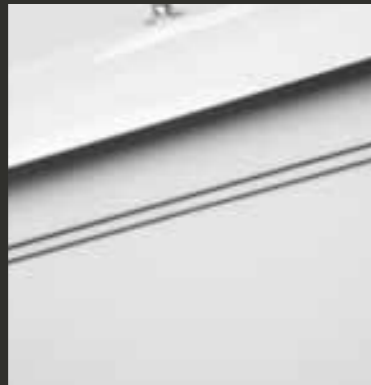
Nisou
See Page 28-29



Vasili
See Page 30-31



Azzure
See Page 32-33



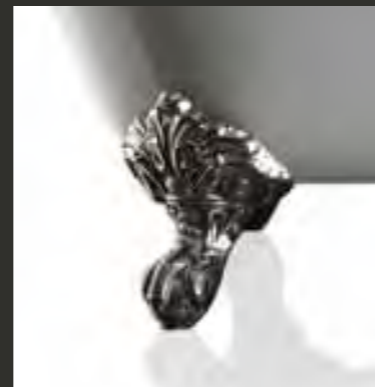
Corinthian
See Page 34-35



Corinthian Metallic
See Page 36-37



Alessa
See Page 38-39



Athena
See Page 40-41



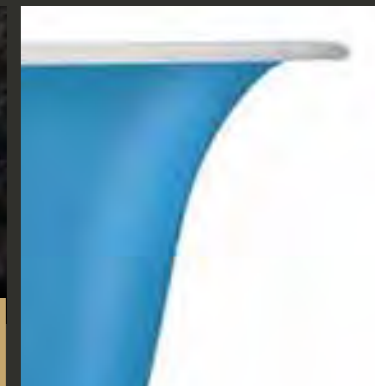
Athena Metallic
See Page 42-43



Othello
See Page 44-45



Othello (Self Paint)
See Page 46-47



Ashton & Bentley - Factory Finishes

Correro Metallic™

Following an extensive development period we are delighted to introduce the Aegean, Alessa, Athena and Corinthian Metallic™ range. Created using a Vac Metalising Process VMP™ available with oxidized finishes.

This process unique to Ashton & Bentley is the perfect alternative to heavier metal baths. The range has been designed with a unique metal surface resulting in a bath that is exceptionally strong and elegant but without the excessive weight.

Traditionally, metal baths suffered from tremendous heat loss but with the thermal properties of Correro™ that insulates rather than loses heat you will be able to maintain water temperature longer.

Colour variations on the metal baths due to rigorous polishing are inherent characteristics of the bath and should not be deemed as faults.

A simple wax finish will keep your bath looking shiny and elegant.

Correro Colour™ Factory Finish

Ashton & Bentley are pleased to offer an exclusive high quality paint finish that is protected with Correro Colour™.

Your personalised colour scheme can be implemented using our traditional craftsmen and the finest materials, ensuring you a truly one of a kind Ashton & Bentley bath.

The colour Black is standard whilst more personalised colours will have to be quoted individually.

Standard Factory Finish

Correro Metallic™

The Correro Metallic™ is only available on the Aegean, Alessa, Athena and Corinthian. All metallics are available with either a Stone Matt or White Gloss internal finish.

Correro Colour™

Correro Colour™ is only available on the Aegean, Azzure, Corinthian, Alessa, Athena and Othello. All Correro Colour™ baths are available with either a Stone Matt or White Gloss internal finish (*Othello is only available with a White Gloss internal finish*).

Standard White Finishes

All baths are available with either a Stone Matt or White Gloss finish.

Very important Notice:

Please read these notes before ordering your Metal Baths. Colour variations on the metal baths occur due to rigorous polishing, please be aware that these are not faults but inherent characteristics of the bath and should be accepted as variances following the finishing process.

Please Note:

We have made every effort to ensure the colours in this brochure are as close as possible. Unfortunately, we cannot guarantee an exact colour match.

Correro Metallic™

Available on the Aegean, Alessa, Athena & Corinthian. See foot note page 54



Brass



Platinum



Copper

Standard White Finishes

Correro Colour™

Available only on the Aegean, Azzure, Corinthian, Alessa, Athena & Othello.



White Gloss



Stone Matt



Correro Black

Please Note: The above images are for illustration purposes only

Inspired by nature

Ashton & Bentley - Self Paint Baths

The perfect way for you to complete the colour scheme of your bathroom.

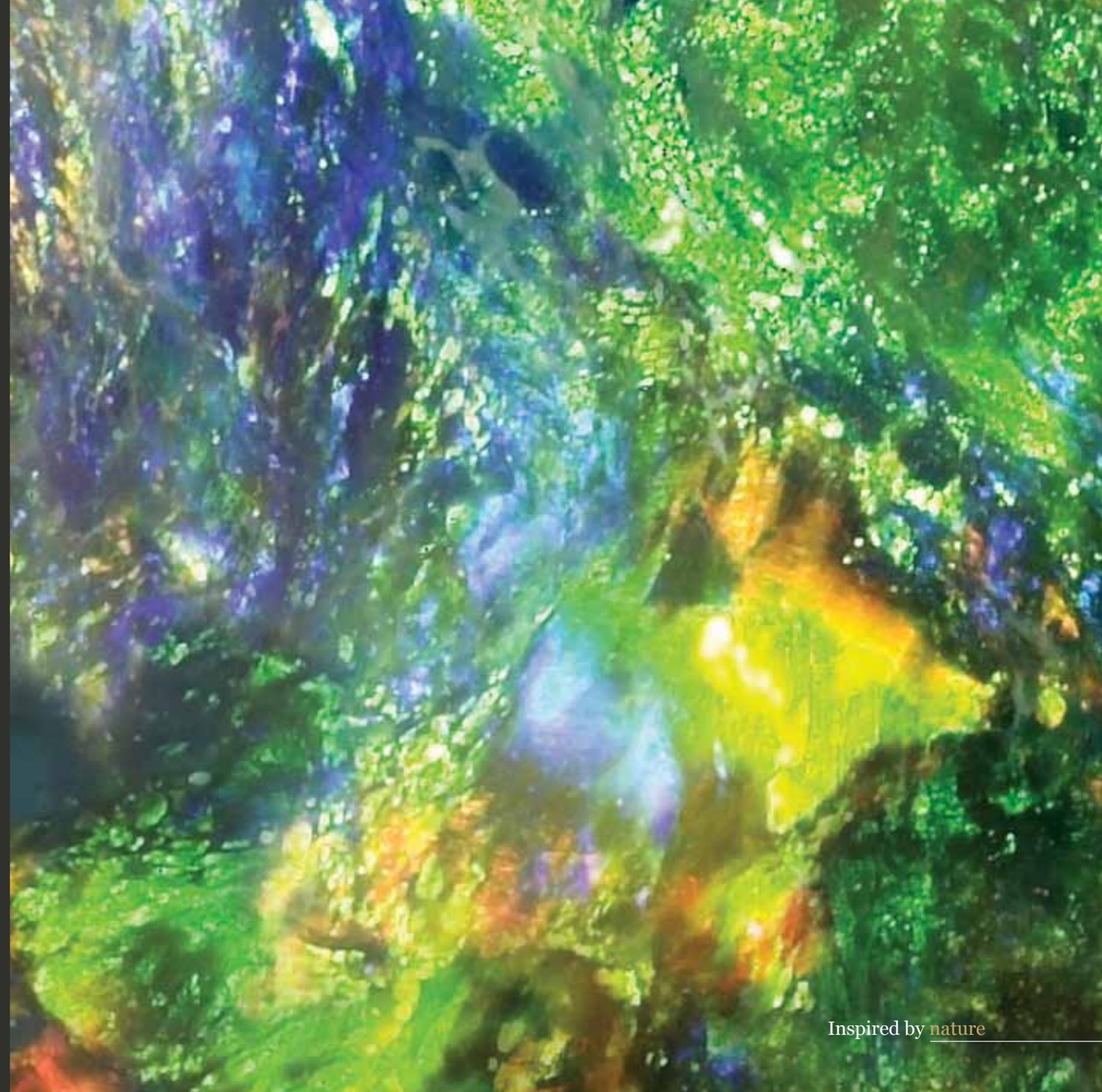
Depending on your preference consider Matt, Eggshell, or Gloss finish. Choose the colour for your Ashton & Bentley bath and then try a small test area on a card taking into account day light and artificial light.

Painting Your Bath:

First rub down the surface with a fine abrasive paper to form a key. Wipe down thoroughly to remove any dust before applying the paint.

Following the paint manufacturer's instructions, apply the undercoat to the bath then follow with two topcoats of your preferred finish. We recommend that you use a small roller or brush, applying paint in a random fashion so as not to create paint lines.

Due to the homogenous material these baths can be painted several times.



Care & Maintenance

Your Ashton & Bentley Bath is created by craftsman. Casting marks and blemishes on the underside of the bath (where they cannot be seen) do not adversely affect the performance and should not be regarded as defects.

Our baths are made from Correro™ a matrix exclusive to Ashton & Bentley which is rich in volcanic and organic minerals. The material is long lasting, elegant and hygienic with wonderful thermal properties. Like all decorative materials Correro™ responds best when handled with care.

Correro™ is inherently “renewable” because it is solid and homogenous all the way through. Most damage can be repaired to restore the bath to its original smooth, hygienic solid surface integrity.

The installation of the bath will be seen as an acceptance of quality. We strongly recommend that you use a suitably qualified installer. Instructions must be adhered to. We cannot accept responsibility for incorrect installation. Should you wish to decorate or customise the outside of your bath see pages 56-57.

Caring for your bath:

Lime-scale can be removed with vinegar or a mild remover such as Lime-Lite. Rinse several times with warm water and dry with a soft cloth.

For everyday cleaning just use a mild cream cleaner such as Cif or bar keepers friend. Do not use abrasive cleaners as they will remove the gloss finish. Should you need to restore the gloss use the automotive Q3, polishing in circular motions.

Deeper scratches may require a more abrasive paper to be used initially. If this is the case work your way up to a 1500 grit gradually and re-polish. For the best results limit sanding to the smallest possible area around the scratch. It may be possible to polish very fine scratches away without using abrasive papers: scrubbing gently with a soft cloth and a mild cream cleaner. Afterwards rinse the whole area with plenty of clean water and re-polish as before.

Cleaning your bath

We recommend a non-abrasive bathroom or kitchen household cleaner. Abrasives will cause the disappearance of the glossy look over a long period. Should you need to clean the bath with an abrasive cleaner, as may be required from time to time, polishing with a car polish or household metal polish will restore the baths' lustre.

Fitting Instructions

We strongly advise that you examine the bath upon delivery. The installation of the bath will be seen as an acceptance of quality and we will not accept any responsibility for any damage or imperfections once installed.

NB. Contemporary Collection. Due to the Bath design, when a 'P' trap is fitted to the bath, it will protrude below the floor level. Therefore, a small recess will have to be made under the bath to fit all wastes. Allow a minimum of 40mm below the floor for this. The plinth will hide this recess and waste fittings.

It is recommended that the bath is installed by a qualified plumber. All instructions must be carried out otherwise this may void your guarantee. We cannot accept responsibility for incorrect installations. We do not give any advice on DIY installations.

Full fitting instructions will be supplied upon request.

Fitting Feet & Finishes:

We strongly advise that you examine the bath upon delivery. The installation of the bath will be seen as an acceptance of quality and we will not accept any responsibility for any damage or imperfections once installed.



Eco Controlled Overflow (ECO)

At Ashton and Bentley we appreciate that it is the small things that make the big differences - with this in mind we have worked tirelessly to develop a unique product that works with the environment. Increase in population and changes in lifestyle, together with climate change, mean that we need to design with the future in mind.

While the bathroom may only take up a fraction of space in your home, it is often the area where water is used freely. We have spent our time discussing with our customers, architects, hoteliers and local authorities the need for saving water but at the same time not compromising a relaxing bathing experience. Working closely with specialist British engineers we have created the Eco Controlled Overflow. An invisible over flow that manages the volume of water in our baths to a level set and adjusted by you.

Ashton and Bentley have redesigned a number of our baths to use with the exclusive Eco controlled overflow, seamlessly blending sustainability and luxury without compromising the aesthetics of the product.

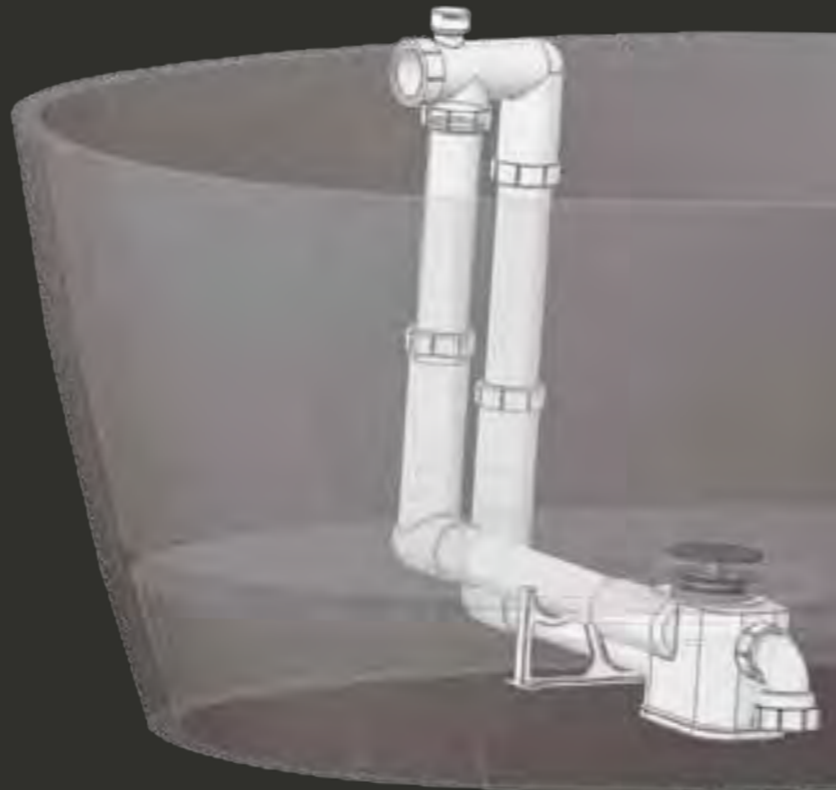
Using a fully functioning over flow with water saving technology gives the house holder the reassurance of potential expensive accidents as the overflow uses the latest full bore pipe work. Architects can be reassured that they can meet all water bylaw regulations while still providing a contemporary modern designed bathroom.

Bathrooms make up a significant proportion of a hotel's total water and energy consumption, making bathrooms a major focus for hoteliers looking not only to reduce costs but also to minimize their environmental impact. Environmental concerns need to be balanced with the needs of guests and the aesthetics of design.

Eco does just that! It protects the establishment from costly inefficient overflow products while controlling the amount of water used in the bath.

We at Ashton and Bentley believe we have produced a product that will meet the requirement of any establishment protecting your home and your future.

Ashton and Bentley ECO comfortably conserving the planet for you,



Guarantee

All Ashton & Bentley hand made baths are guaranteed for 25 years.

The guarantee is valid from the purchase date against any defects in the materials and /or workmanship. In the unlikely event of any defects we will replace subject to the following conditions:

- Our obligation remains with the original purchaser and cannot be transferred.
- The product has to have been used for its intended purpose and the guarantee does not cover or apply to misuse or abuse in anyway.
- Product must be fitted by a qualified plumber.

The guarantee does not cover:

- Accidental damage including scratches after purchase.
- Failure to follow guidelines on fitting instructions or care and cleaning procedures
- Any form of damage on installation
- Fault that may arise from improper use or care
- The guarantee covers products in domestic use by the consumer and not commercial or business use.

Your guarantee will be invalidated if you do not follow the fitting instructions. This guarantee does not affect your statutory rights. The bath serial number is located beneath the bath. This sticker must not be removed or defaced otherwise it will invalidate the guarantee.

Terms & Conditions

Ashton & Bentley pursues a policy of continual development and improvement and as such, product specifications may be changed without prior notice. All dimensions listed are only nominal. Being cast products they are subject to a size variance of +/- 3% tolerances.

- Ashton & Bentley reserve the right to change prices, designs and specification at anytime without notice.
- We strongly recommend that all our baths are installed by a qualified plumber.
- The contemporary baths are designed with no overflow unless stated.
- All our baths take a 51mm waste kit.
- All intellectual property rights belong to Ashton & Bentley.



INTRODUCING **Organic téchni**

Organic Téchni's focal product is our free standing bath. Elegant contours with a luxurious finish born of nature's organic limestone and white marble.



For more information or to request a brochure please contact us on 01902 83 74 36 or info@ashtonandbentley.co.uk

One beautifully designed product to focus your ideas.

ashton & bentley
beautiful baths individually crafted